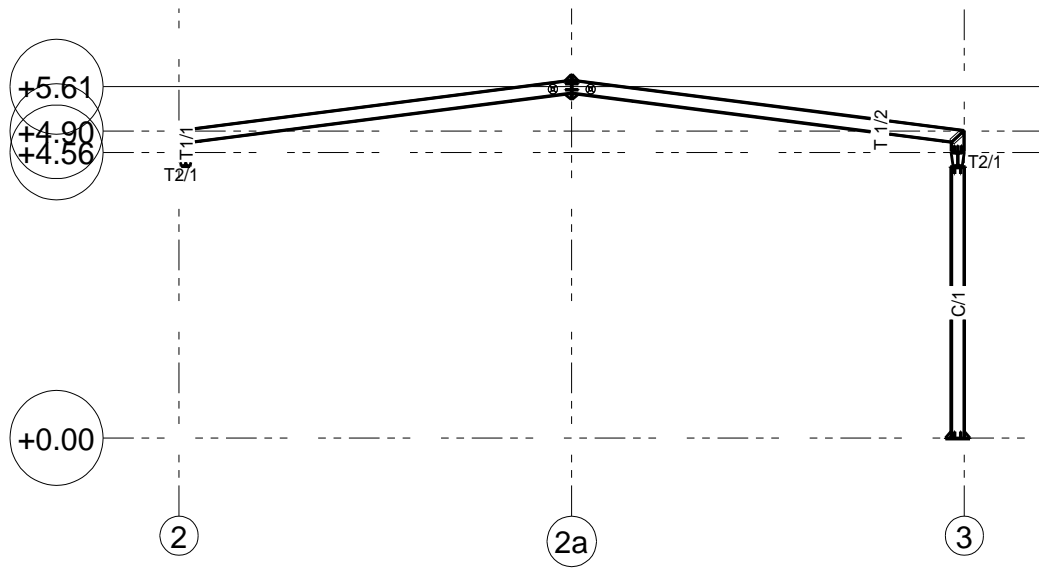
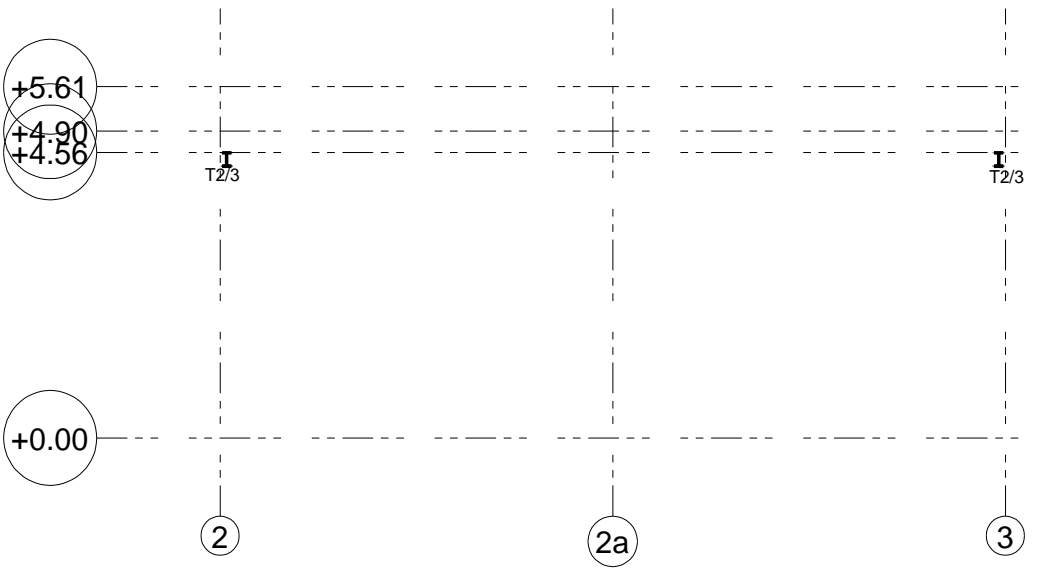


3D
1:125

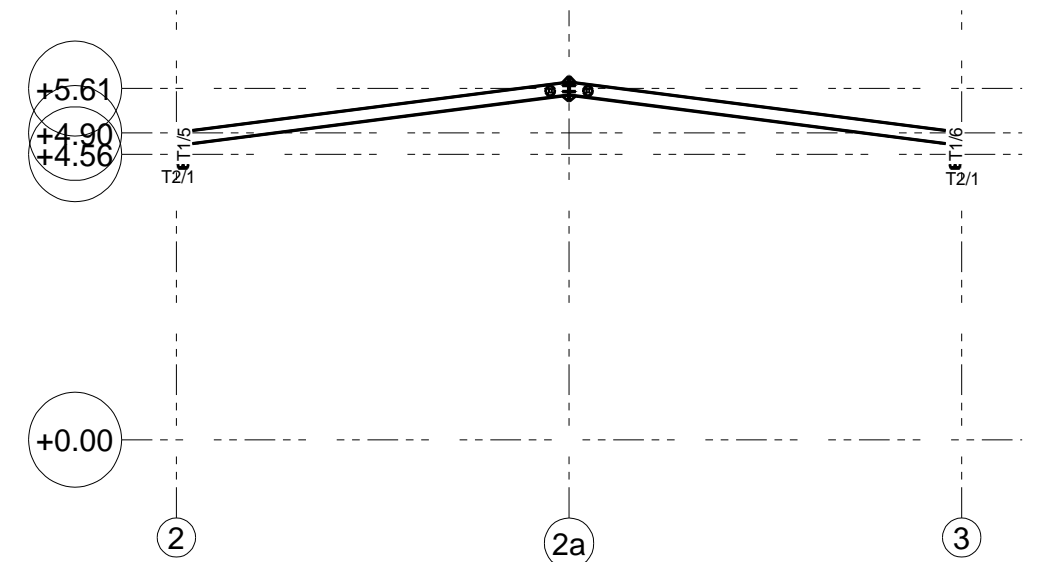
0	01	1395-10-11	Rad.Engineer	Rad.Engineer	Rad.Engineer
REV:	Phase Number:	Created date:	Modeled By:	Checked By:	Project Manager:
DESCRIPTION	PROJECT TITLE:			CONTRACTOR:	
SCALE:	مجتمع گردشگری و تفریحی عرشیا				
N.T.S					
UNIT:	OWNER:				
mm					
FIELD:	CONSULTANT:				
Structure					
PHASE :	DRAWING TITLE:				
01	3D				
Project No.:		- PH. 01	R. 0	1/1	



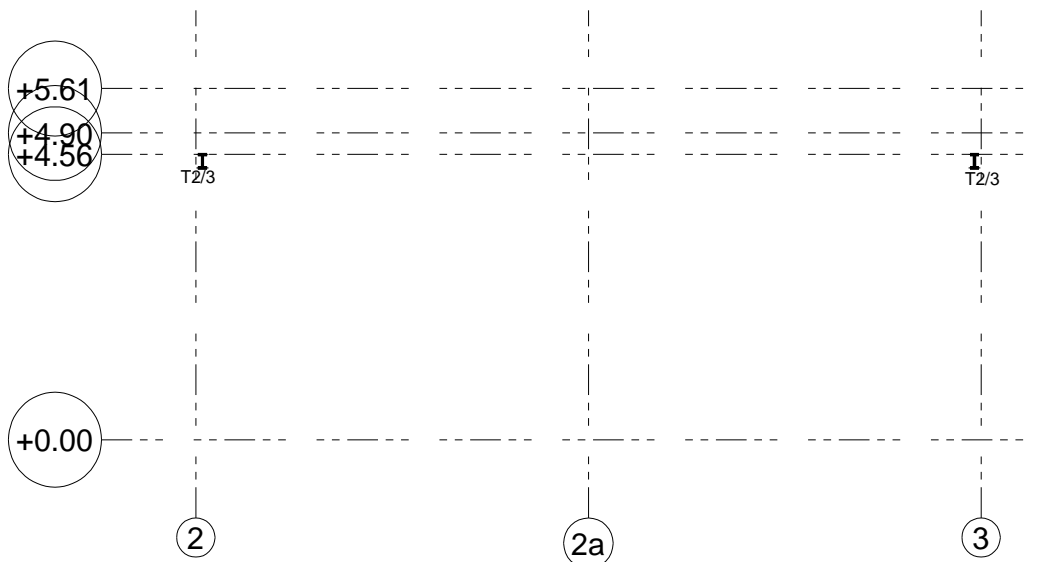
GRID B
1:125



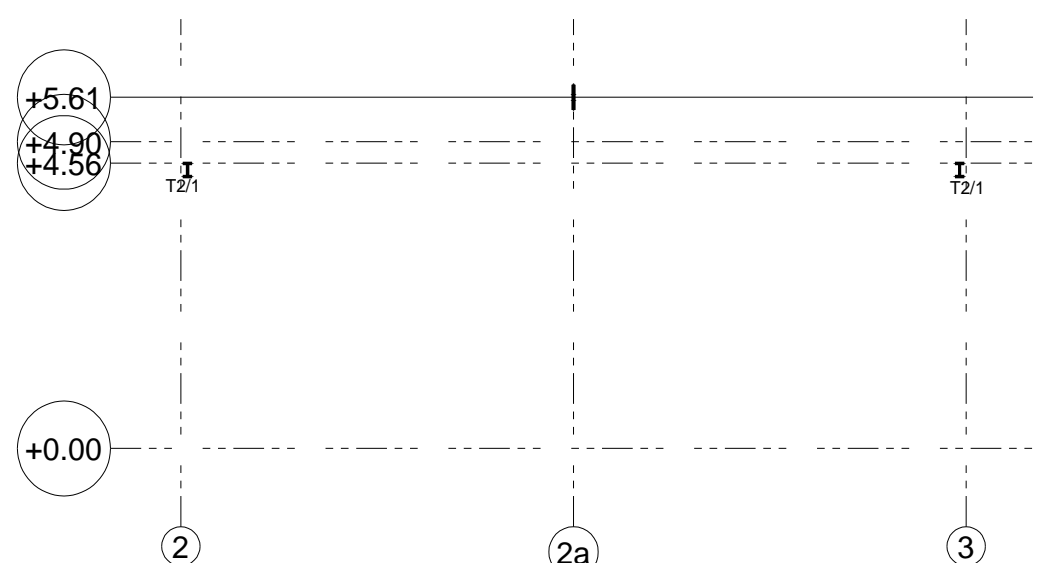
GRID M
1:125



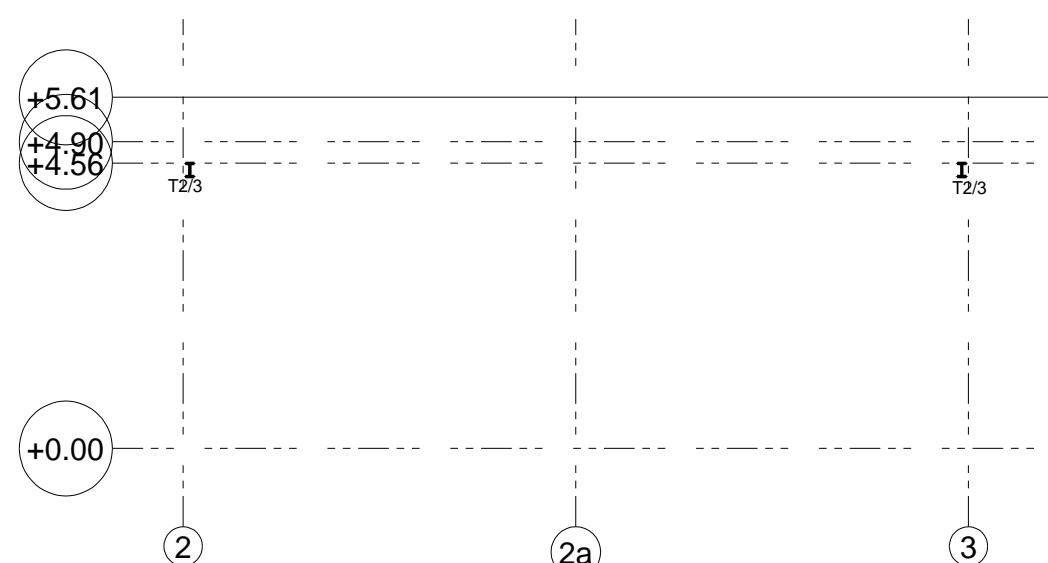
GRID C
1:125



GRID P
1:125

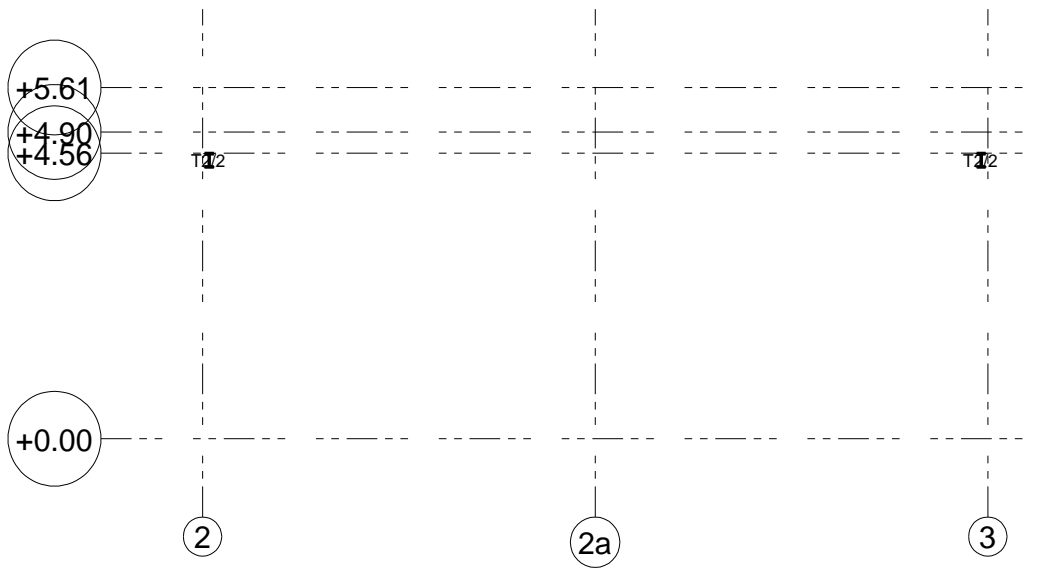


GRID F
1:125

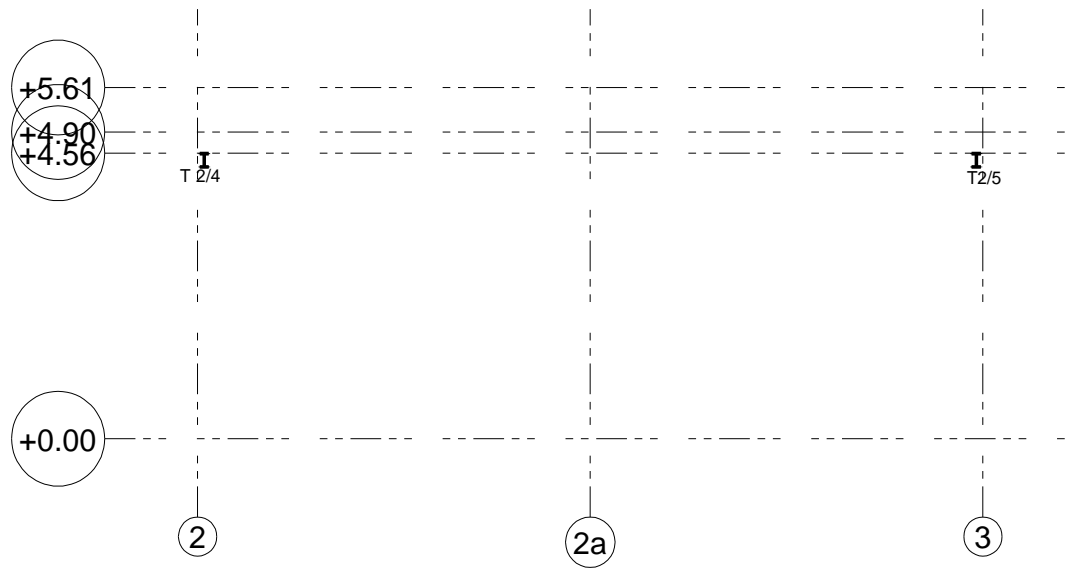


GRID R
1:125

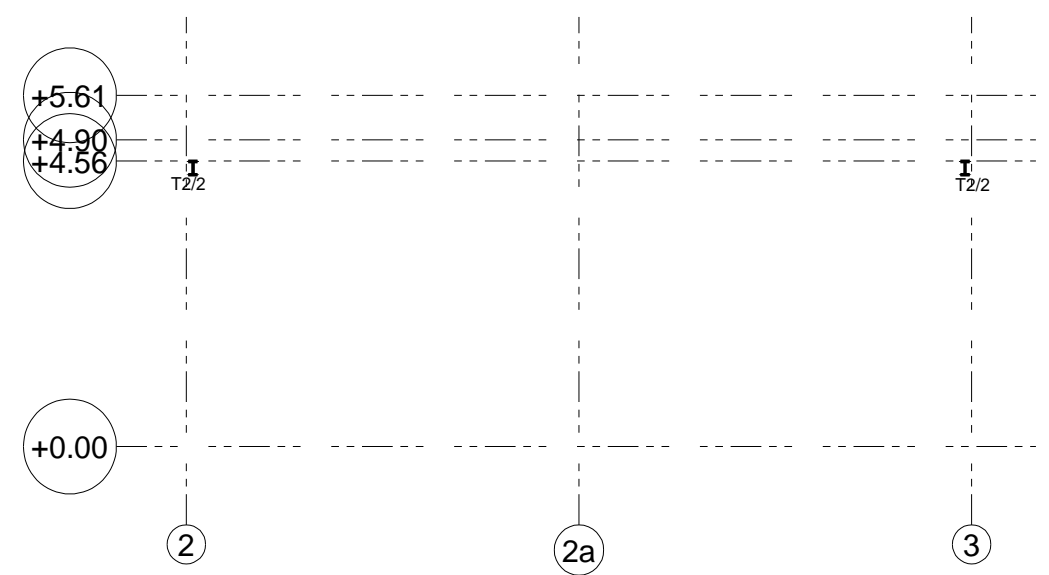
0	01	1395-10-11	Rad.Engineer	Rad.Engineer	Rad.Engineer
REV.	Phase Number:	Created date:	Modeled By:	Checked By:	Project Manager:
DESCRIPTION	PROJECT TITLE:		CONTRACTOR:		
SCALE:	N.T.S				
UNIT:	OWNER:				
mm					
FIELD:	CONSULTANT:				
Structure					
PHASE :	DRAWING TITLE:				
01	Grid B&C&F&I&K&M&P&S&U&W&X				
Project No.:		- PH. 01	R. 0	1/2	



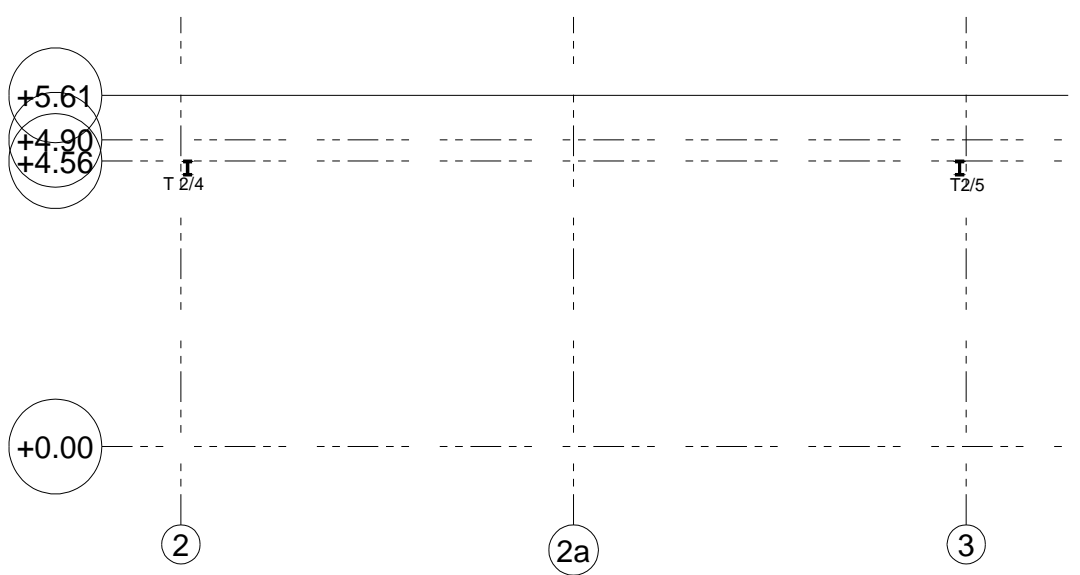
GRID I
1:125



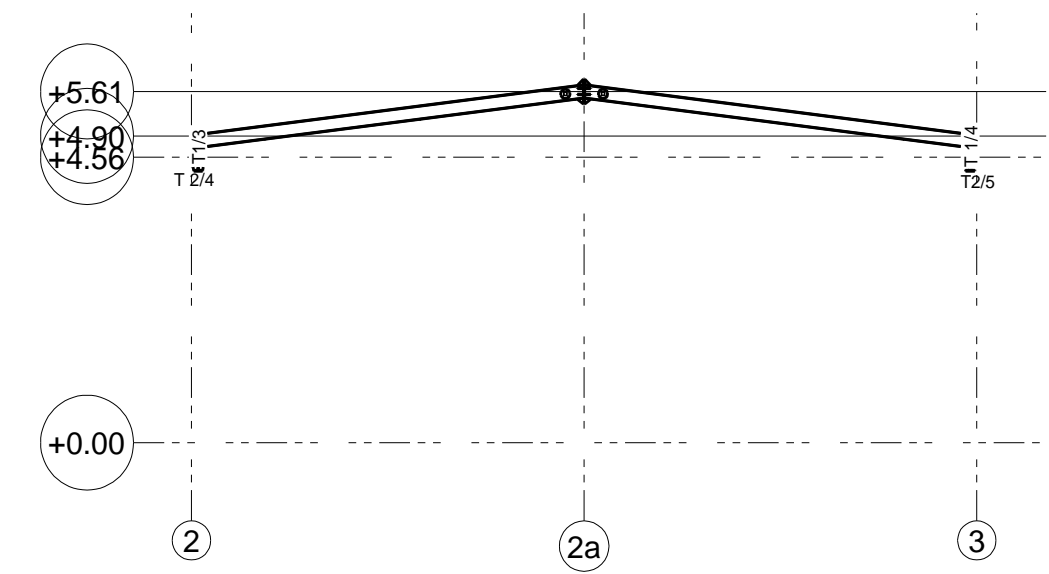
GRID U
1:125



GRID K
1:125

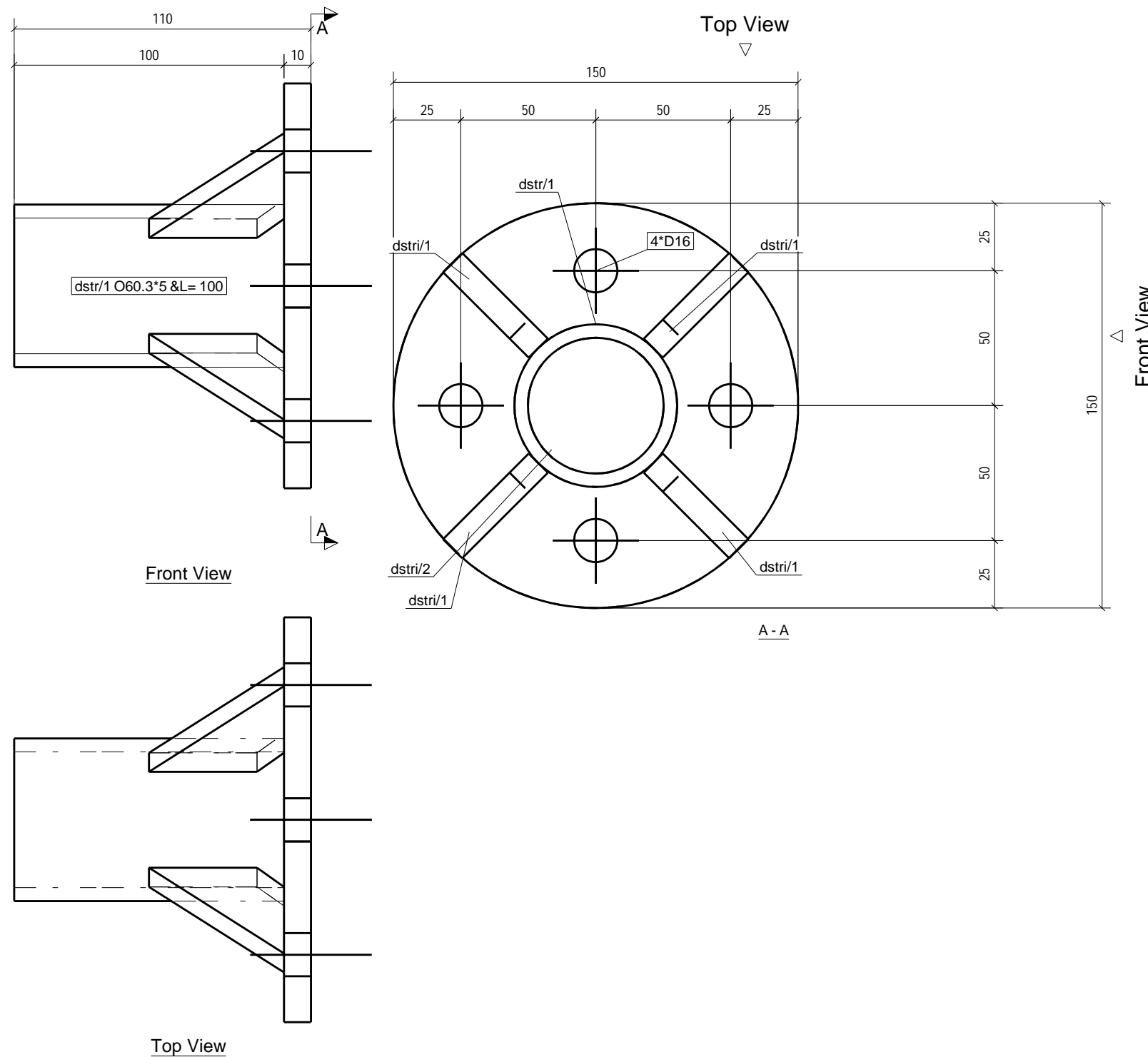


GRID W
1:125

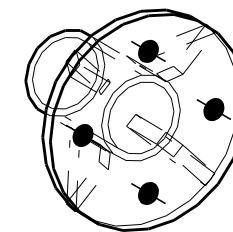


GRID X
1:125

0	01	1395-10-11	Rad.Engineer	Rad.Engineer	Rad.Engineer
REV.	Phase Number:	Created date:	Modeled By:	Checked By:	Project Manager:
DESCRIPTION	PROJECT TITLE:			CONTRACTOR:	
SCALE:	مجتمع تفریحی و گردشگری عرشیا				
N.T.S					
UNIT:	OWNER:				
mm					
FIELD:	CONSULTANT:				
Structure					
PHASE :	DRAWING TITLE:				
01	Grid B&C&F&I&K&M&P&S&U&W&X				
Project No.:		- PH. 01	R. 0	2/2	



BILL OF MATERIAL					
MATERIAL LIST FOR ONE ASSEMBLY					No. Required :
Grid: 2a/B			DSTR/1		40
Mark	Grade	Size	No	Length	Weight PC
dstr/1	ST37	O60.3*5	1	100	0.7
dstr/1	ST37	PL10*45	4	50	0.2
dstr/2	ST37	D150	1	10	1.4
TOTAL (kg)					2.7



3D

GENERAL NOTES

- 1- جهات شمال و جنوب درستونها، جهات جغرافیایی محل نصب میباشد.
- 2- جهت نصب حتما و فقط در قسمت بالای تیر علامت زده شود.
- 3- جوش ستونها یا پدستالها به بیس پلیت نفوذی است.

Legend:

lci=Part 01-For Col-Intracacy	lii=Part 01-For IPE Beams-Intracacy
lbi=Beam And 01 Th Type At Part 01	ST=Stair
lci=Collumns And 01 Th Type At Part 01	LP=Loose Part
li=Part 01-IPE Beam	

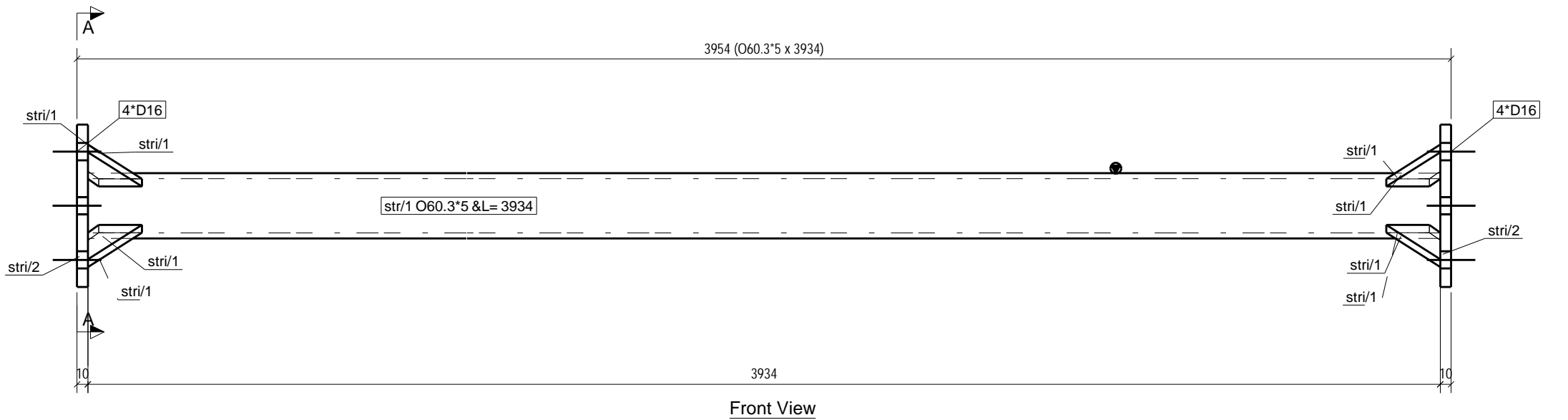
General Corner Welding Dimensions For Beams&Collumns											
Section	C.W.D/Section	C.W.D/Section	C.W.D/Section	C.W.D/Section	C.W.D/Section	C.W.D/Section	C.W.D/Section	C.W.D/Section	C.W.D/Section	General Notes:	
CS1	20	CS6	15	PG41	6	PG48	6	PG59	6	PG97	8
CS1a	20	CS7	15	PG43	6	PG54	6	PG610	6	PG28	8
CS2	18	CS8	12	PG44	6	PG55	6	PG611	6	PG99	9
CS3	18	CS9	10	PG45	6	PG56	6	PG94	8	PG10	12
CS4	15	CS10	10	PG46	6	PG57	6	PG95	8	PG11	12
CS5	12	CS11	10	PG47	6	PG58	6	PG96	8	PG118	16

0	01	1395-10-11	Rad.Engineer	Rad.Engineer	Rad.Engineer
REV.	Phase Number:	Created date:	Modeled By:	Checked By:	Project Manager:

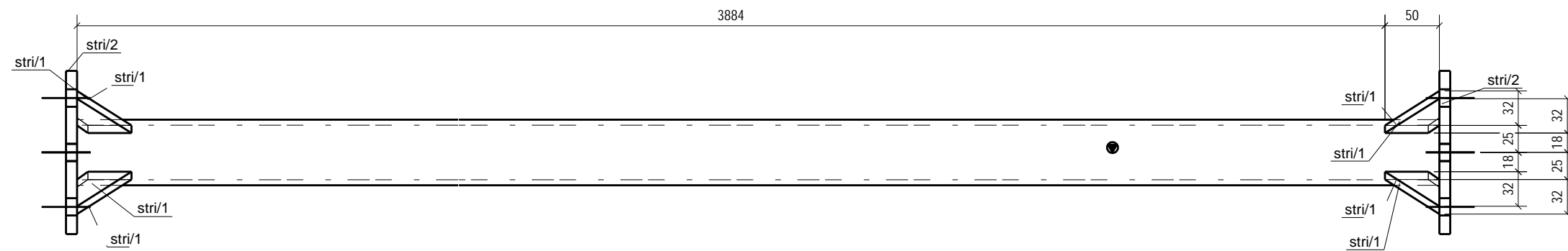
DESCRIPTION:	PROJECT TITLE:	CONTRACTORE:
SCALE:	مجتمع گردشگری و تفریحی عرشیا	
UNIT:	OWNER:	
FIELD:	CONSULTANT:	
PHASE:	DRAWING TITLE:	
01	DSTR/1	
Project No.:	PH. 01	R. 0
		1/1

BILL OF MATERIAL

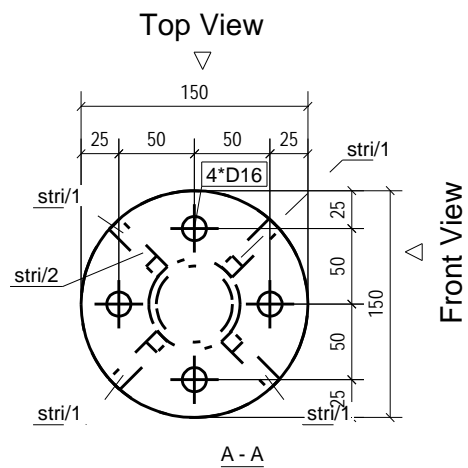
MATERIAL LIST FOR ONE ASSEMBLY				No. Required :	
Mark	Grade	Size	No	Length	Weight PC
Grid: 2a/G-J			STR/2		20
str/1	ST37	O60.3*5	1	3934	26.1
stri/1	ST37	PL10*45	8	50	0.2
stri/2	ST37	D150	2	10	1.4
TOTAL (kg)					30.3



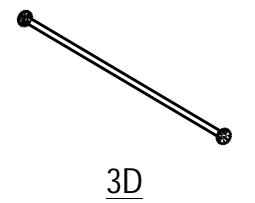
Front View



Top View



Front View



3D

GENERAL NOTES

- 1- جهات شمال و جنوب درستونها، جهات جغرافیایی محل نصب میباشد.
- 2- جهت نصب حتما و فقط در قسمت بالای تیر علامت زده شود.
- 3- جوش ستونها یا پدستالها به بیس پلیت نفوذی است.

Legend:

lci=Part 01-For Col-Intracacy	lii=Part 01-For IPE Beams-Intracacy
lbi=Part 01- For Beams-Intracacy	ST=Stair
lci=Collumns And 01 Th Type At Part 01	LP=Loose Part
li=Part 01-IPE Beam	

Section	C.W.D/Section	C.W.D/Section	C.W.D/Section	C.W.D/Section	C.W.D/Section	C.W.D/Section	C.W.D/Section	General Notes:				
CS1	20	CS6	15	PG41	6	PG48	6	PG59	6	PG97	8	
CS1a	20	CS7	15	PG43	6	PG54	6	PG610	6	PG98	8	جوش باقی اتصالات با بعد
CS2	18	CS8	12	PG44	6	PG55	6	PG611	6	PG99	9	هفت دهم ضخامت
CS3	18	CS9	10	PG45	6	PG56	6	PG94	8	PG10	12	ورق نازکتر اجرا گردد.
CS4	15	CS10	10	PG46	6	PG57	6	PG95	8	PG11	12	
CS5	12	CS11	10	PG47	6	PG58	6	PG96	8	PG118	16	

REV.	01	Phase Number:	1395-10-11	Created date:	Rad.Engineer	Modeled By:	Rad.Engineer	Checked By:	Rad.Engineer	Project Manager:
------	----	---------------	------------	---------------	--------------	-------------	--------------	-------------	--------------	------------------

DESCRIPTION:	PROJECT TITLE:	CONTRACTOR:
SCALE:	OWNER:	
UNIT:	CONSULTANT:	
FIELD:	DRAWING TITLE:	
PHASE:	01	STR/2
Project No.:	PH. 01	R. 0
		1/1

