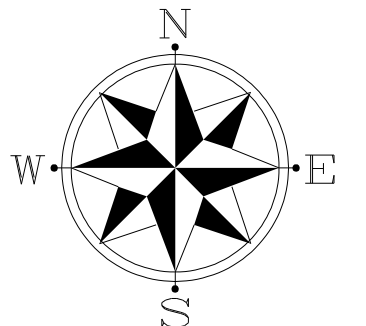
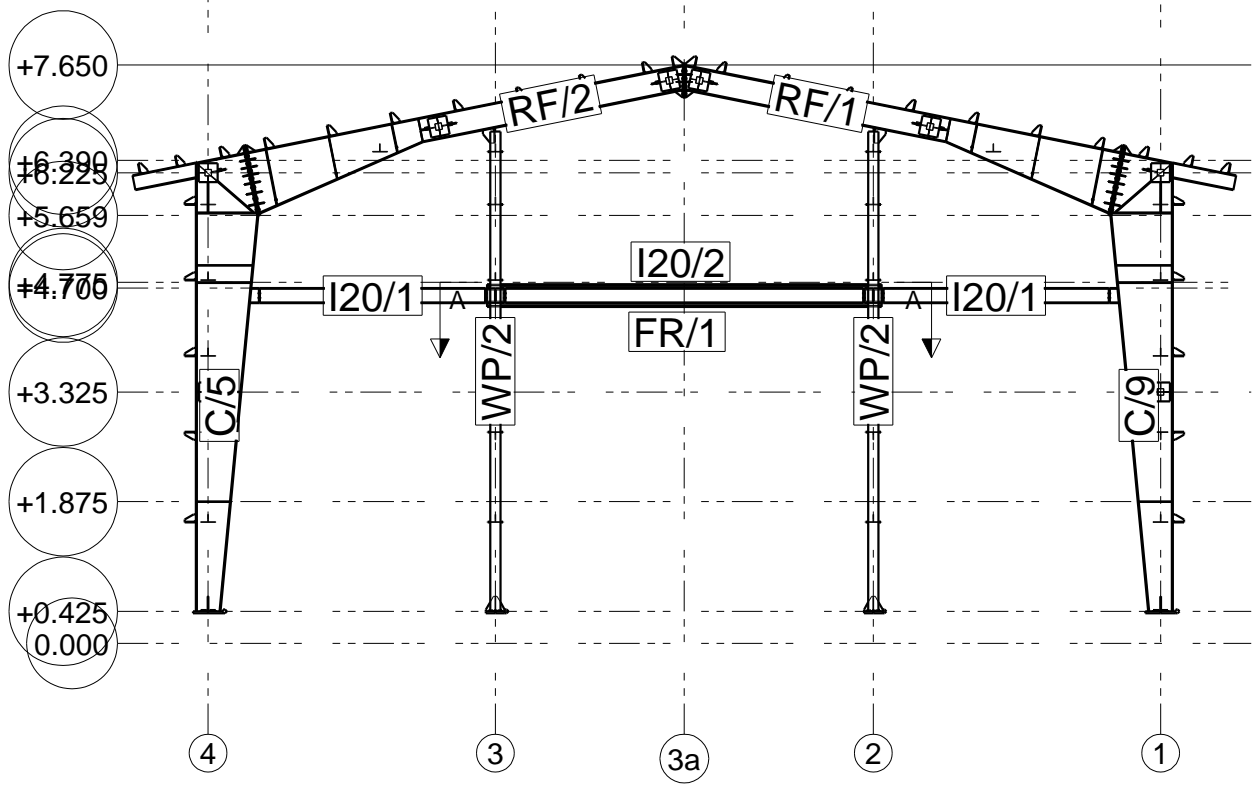


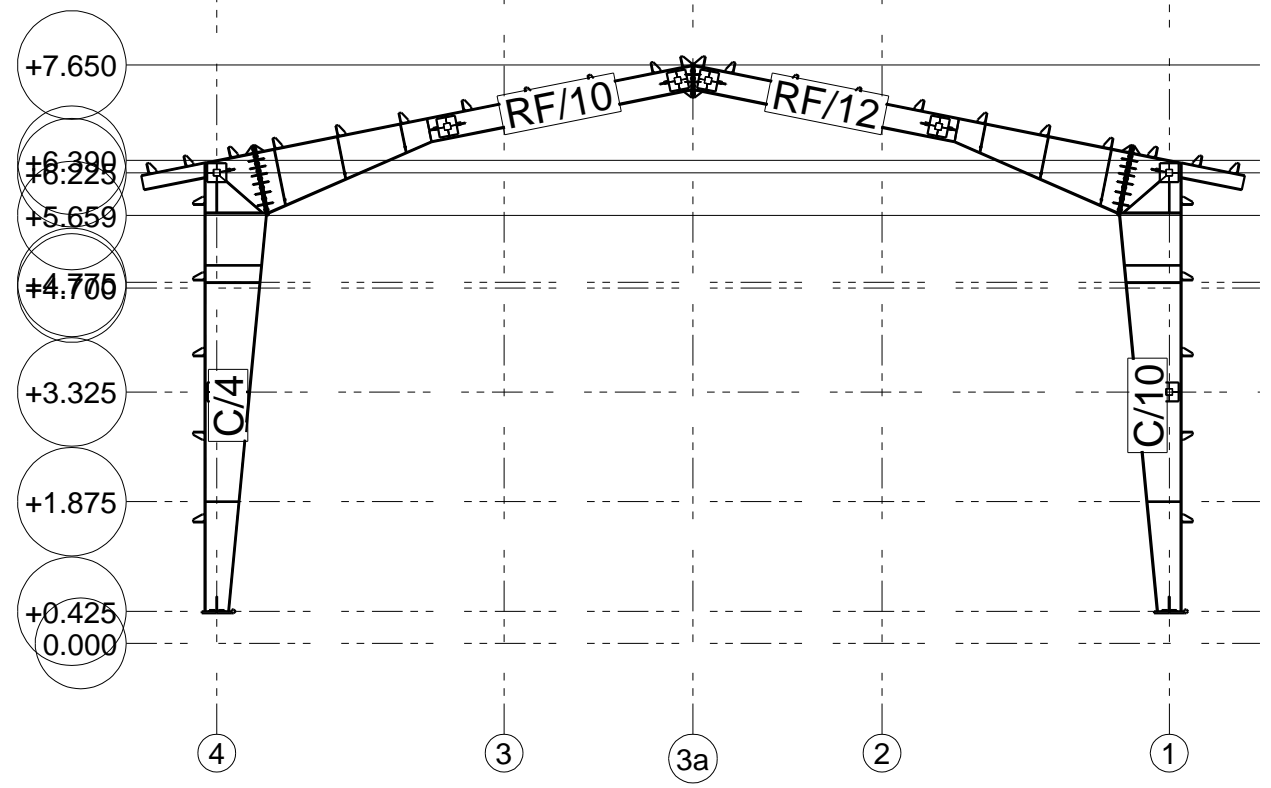
PLAN +0.425  
1:125



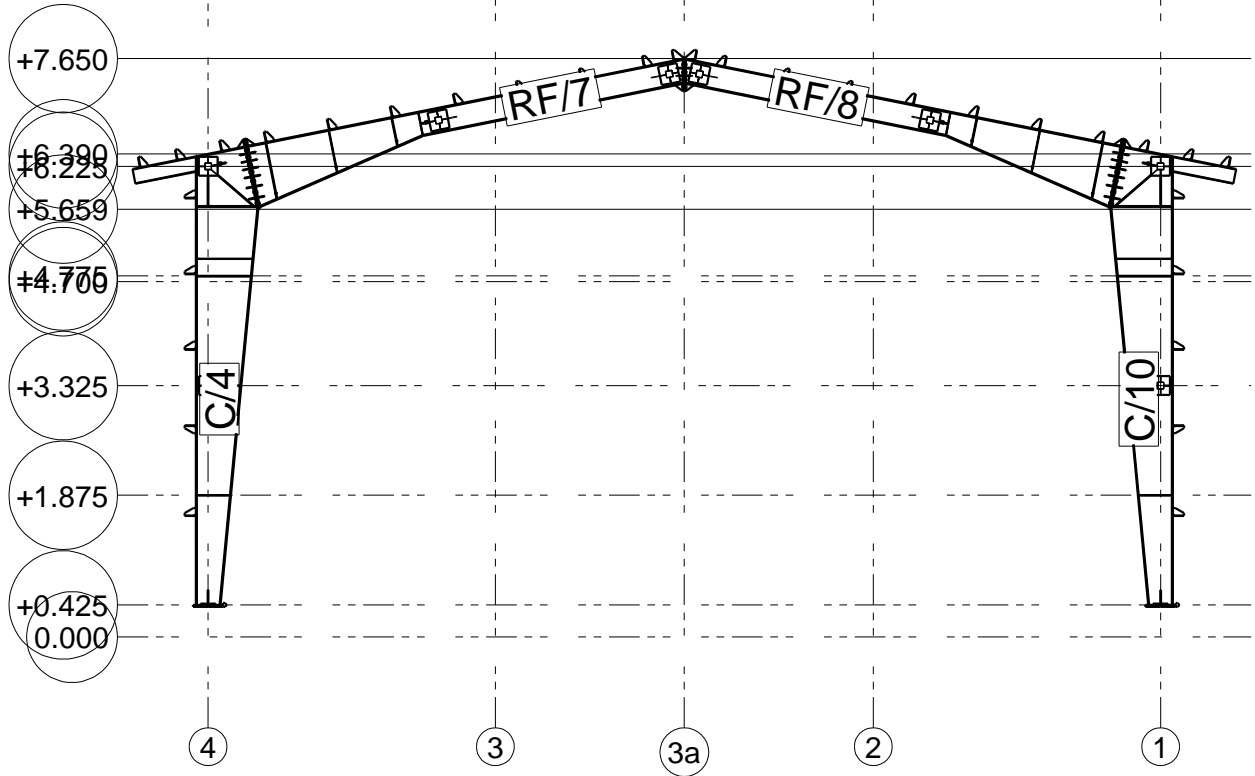
REV.	01	1395-02-01	Rad.Engineer	Rad.Engineer	Rad.Engineer
Phase Number:	01	Created date:	1395-02-01	Modeled By:	Rad.Engineer
Checked By:		Project Manager:			
DESCRIPTION	PROJECT TITLE:		CONTRACTORE:		
SCALE:	سوله گل گهر سيرجان				
UNIT:	mm		OWNER:		
FIELD:	Structure		CONSULTANT:		
PHASE :	01		DRAWING TITLE:		
			Collumns'S Key Plan At T.O.BP=+0.425		
Project No.:	- PH. 01	R. 0	1/1		



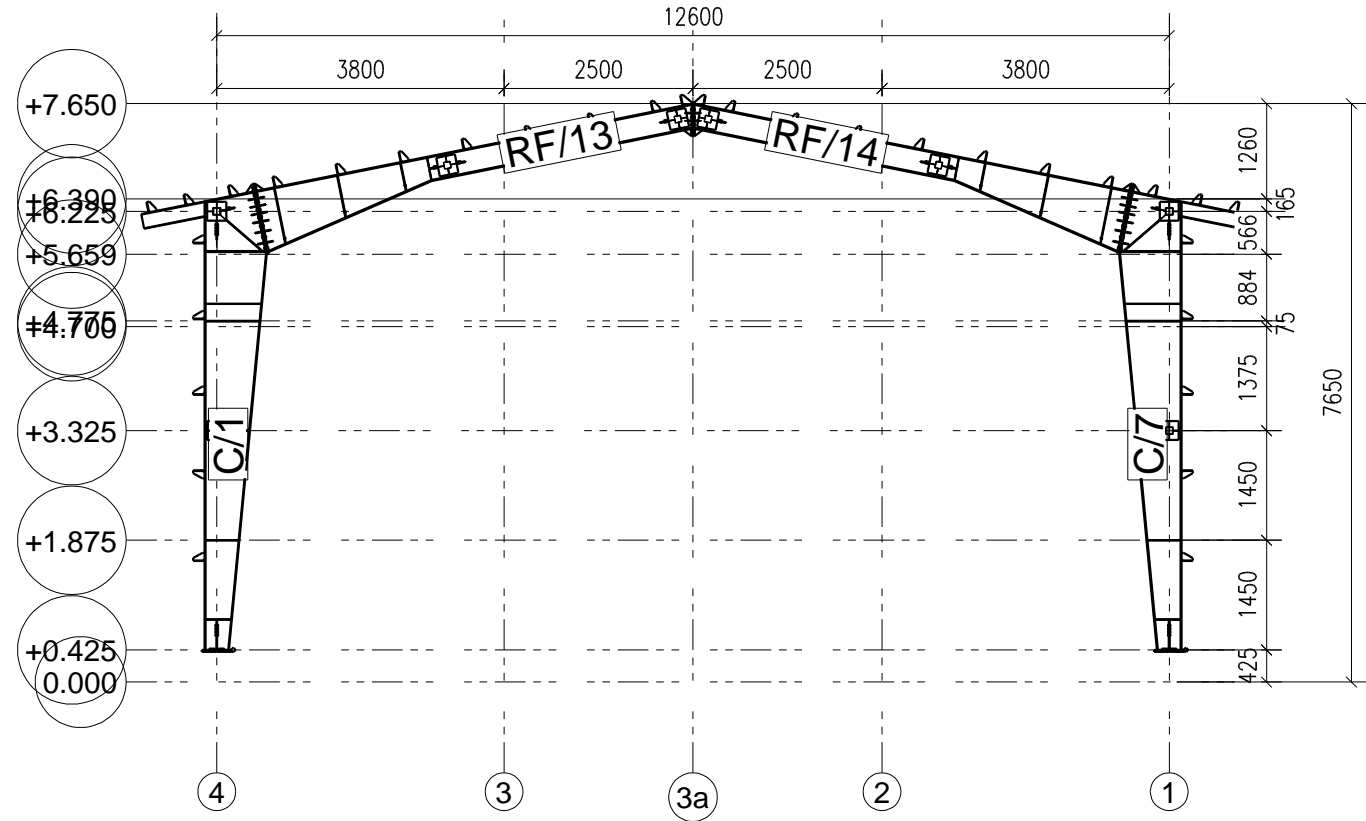
GRID A  
1:100



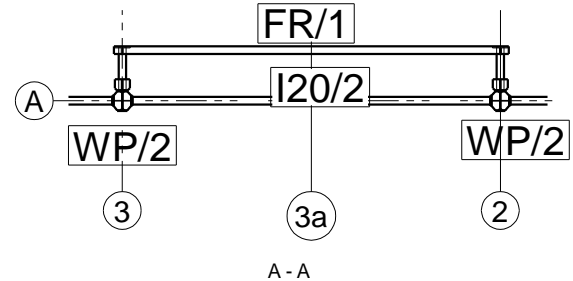
GRID D  
1:100



GRID B  
1:100

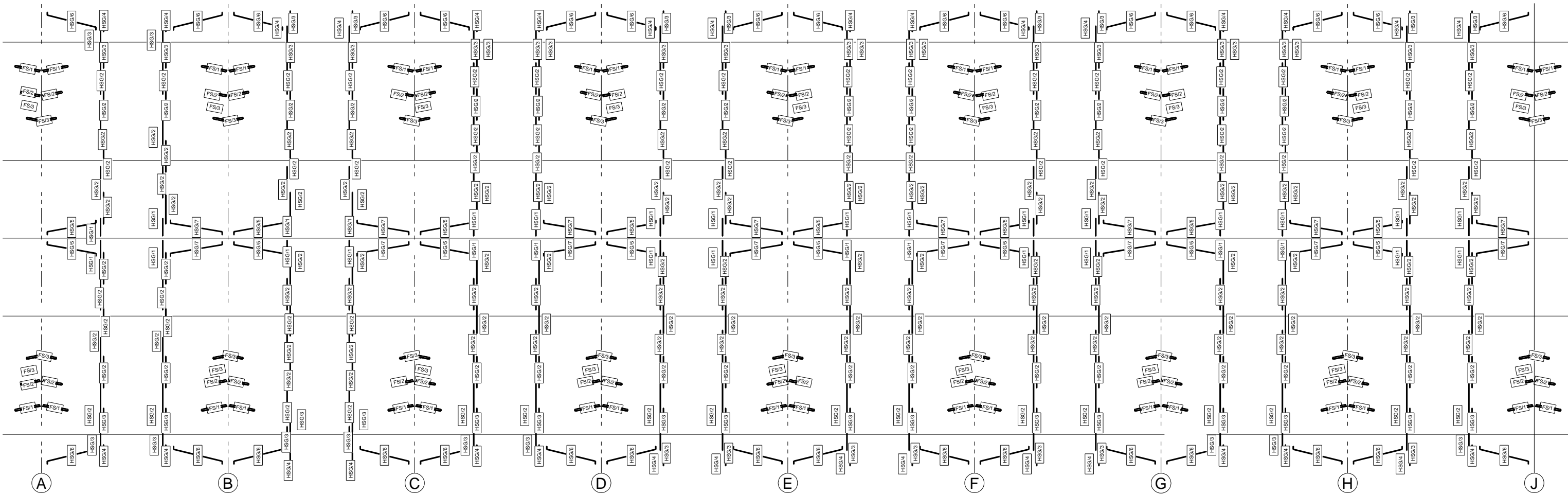


GRID E  
1:100

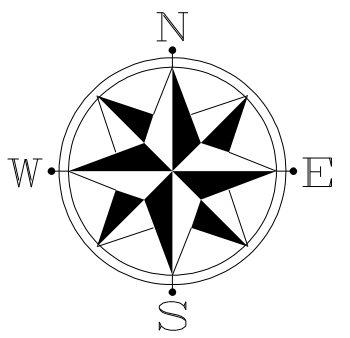


REV.	01	1395-02-01	Rad.Engineer	Rad.Engineer	Rad.Engineer
Phase Number:		Created date:	Modeled By:	Checked By:	Project Manager:
DESCRIPTION:	PROJECT TITLE:			CONTRACTOR:	
SCALE:	سوله گل گهر سیرجان				
N.T.S					
UNIT:	mm				
OWNER:					
FIELD:	Structure				
CONSULTANT:					
PHASE:	01				
DRAWING TITLE:	Grid A&B&C&D				
Project No.:	- PH. 01	R. 0	1/1		

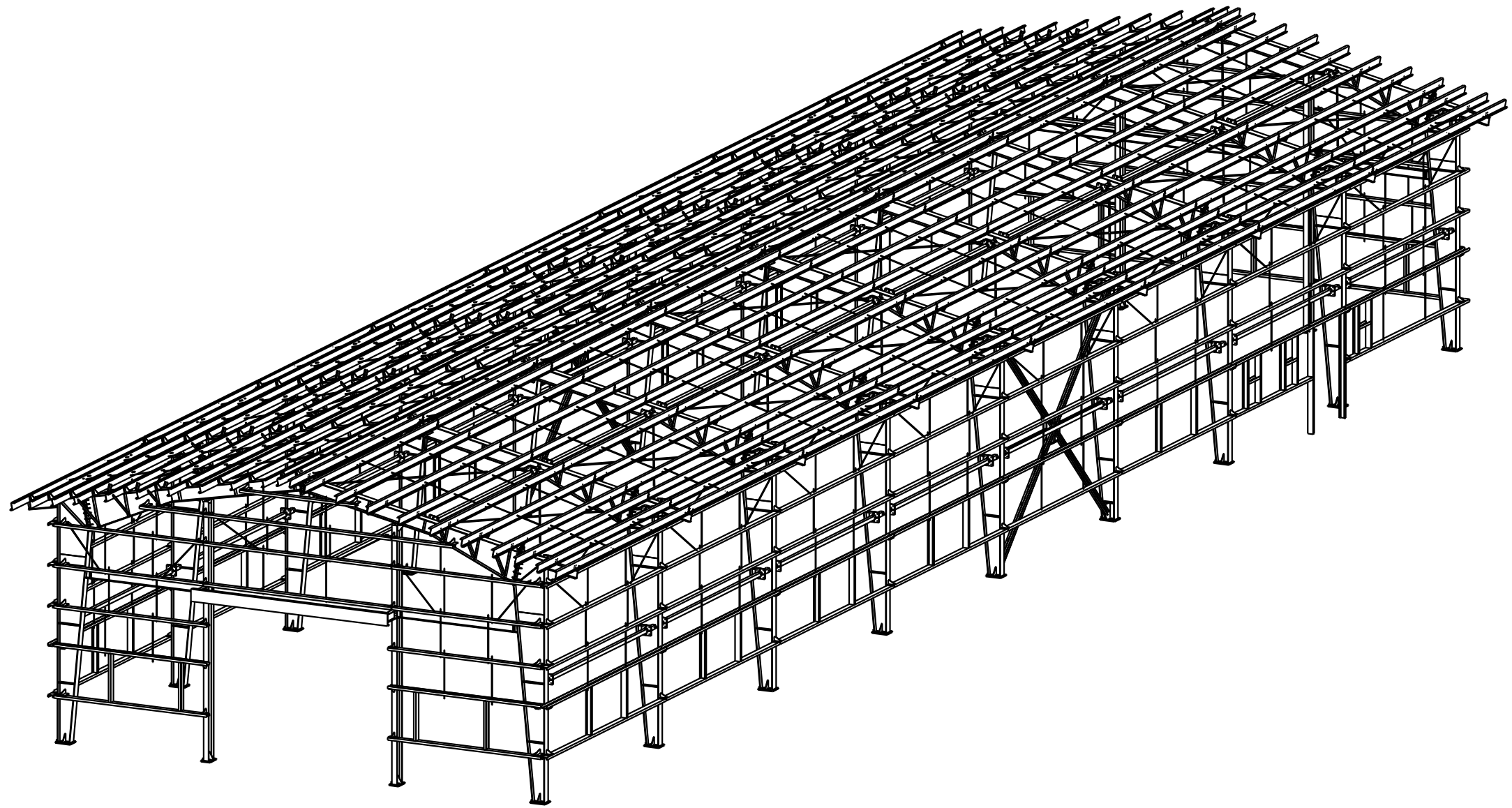




PLAN +6.390  
1:125



0	01	1395-02-01	Rad.Engineer	Rad.Engineer	Rad.Engineer
REV.	Phase Number:	Created date:	Modeled By:	Checked By:	Project Manager:
DESCRIPTION	PROJECT TITLE:			CONTRACTOR:	
SCALE:	سوله گل گهر سیرجان				
UNIT:	OWNER:				
FIELD:	CONSULTANT:				
PHASE :	DRAWING TITLE:				
	01 HSG And FS Key Plan				
Project No.:		- PH. 01		R. 0	1/1

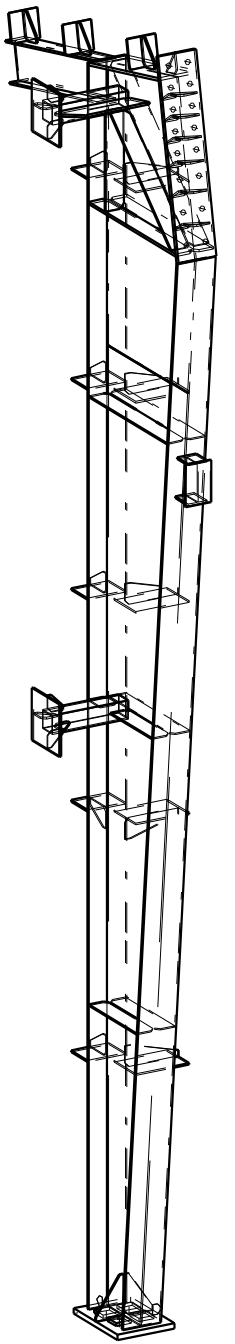
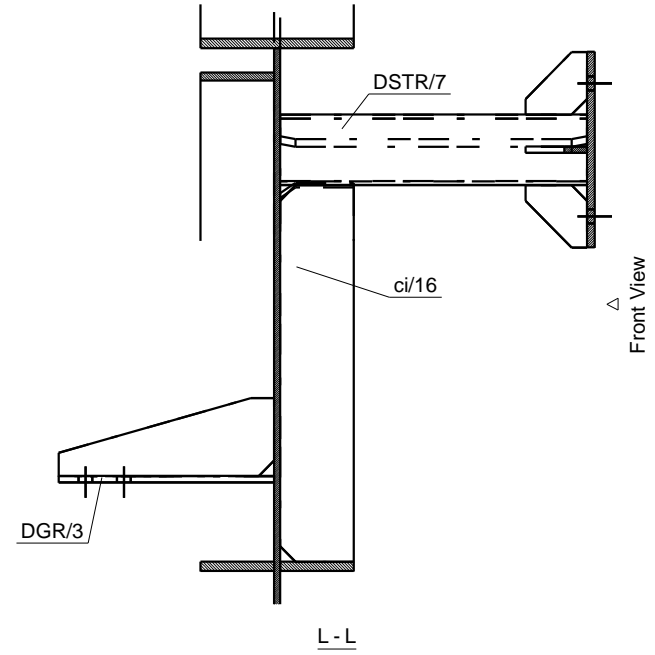
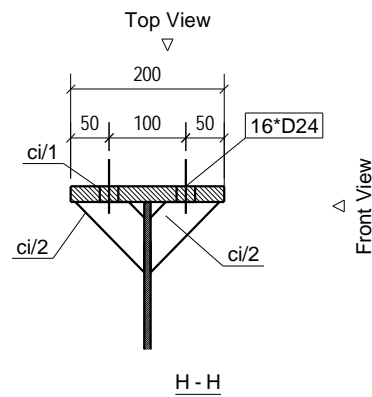
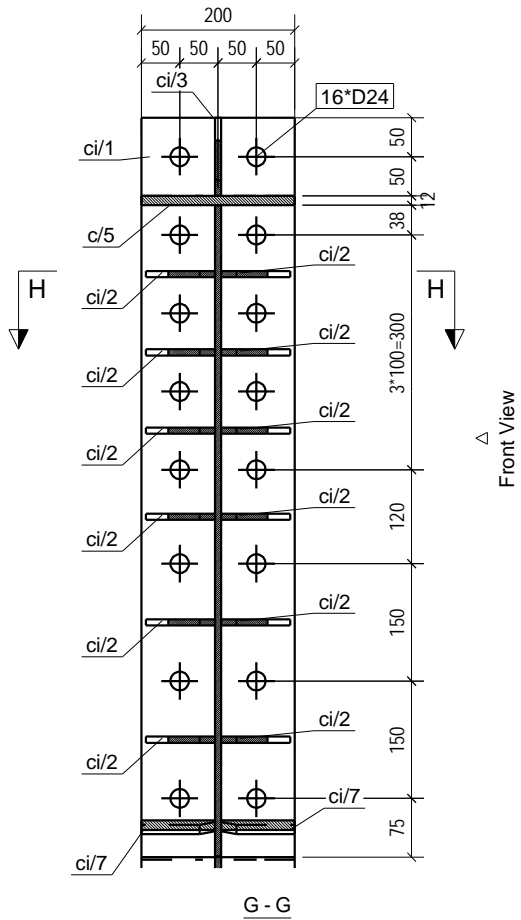
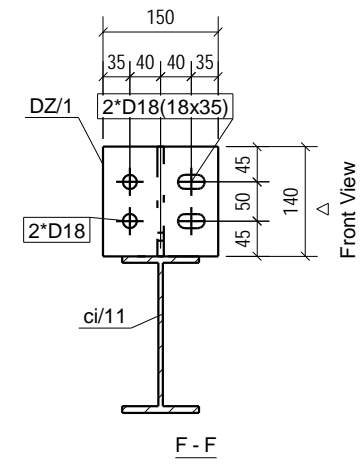
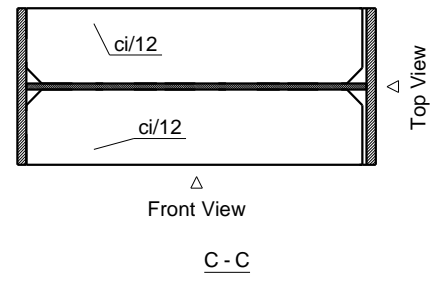
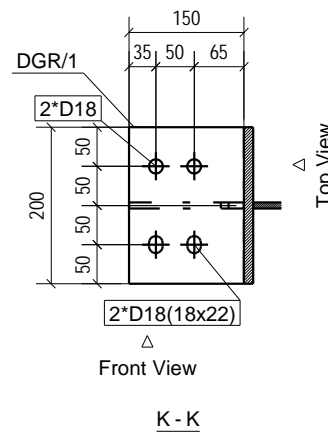
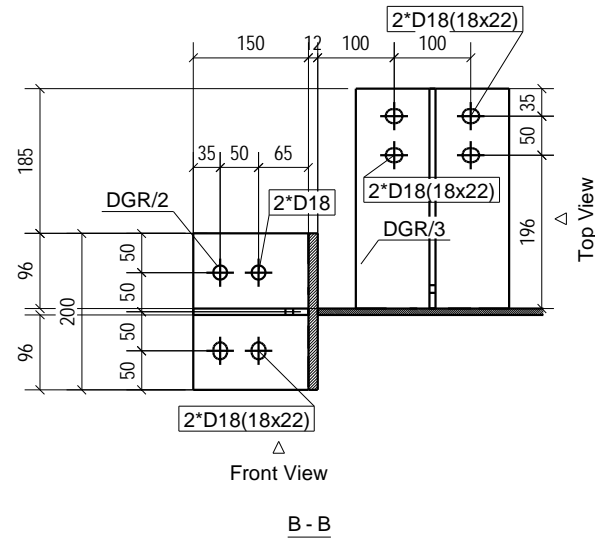
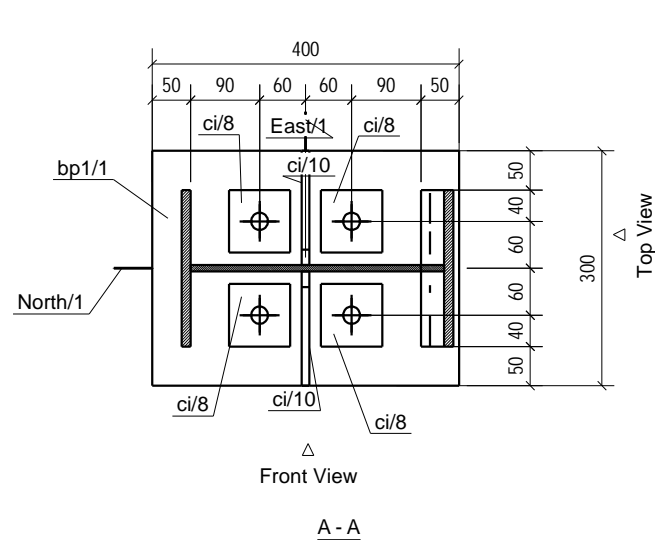
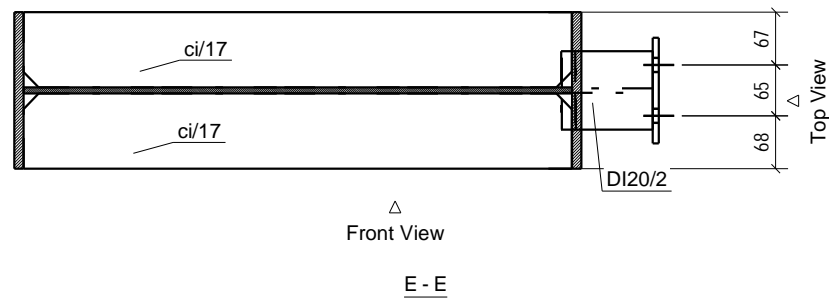
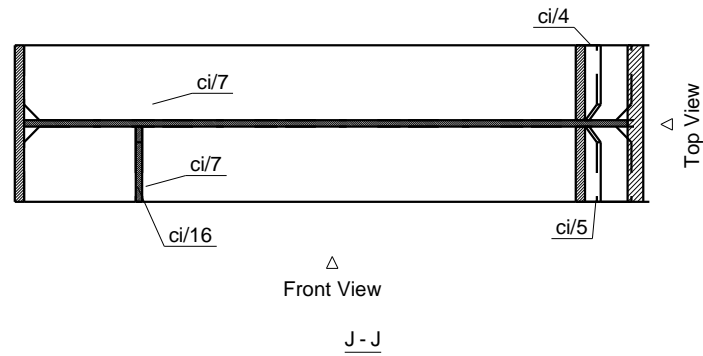
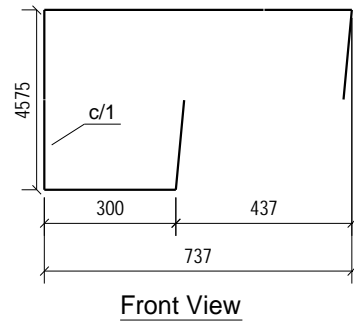
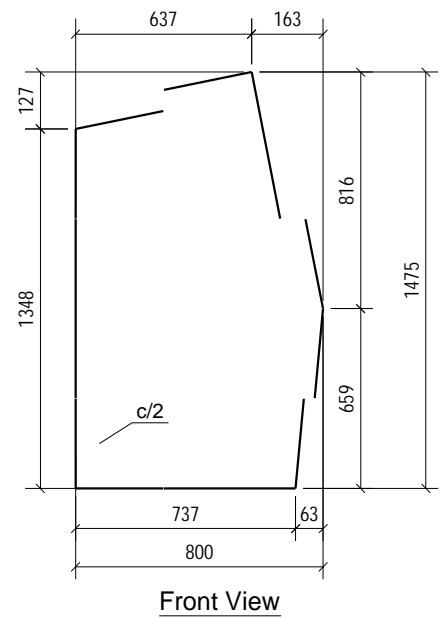


3D

0	01	1395-02-01	Rad.Engineer	Rad.Engineer	Rad.Engineer
REV.	Phase Number:	Created date:	Modeled By:	Checked By:	Project Manager:
DESCRIPTION	PROJECT TITLE:			CONTRACTOR:	
SCALE:	سوله گل گهر سیرجان				
N.T.S					
UNIT:	OWNER:				
mm					
FIELD:	CONSULTANT:				
Structure					
PHASE :	DRAWING TITLE:				
01	3D				
Project No.:		- PH. 01	R. 0	1/1	







**General Notes:**

-1 خلالت نسب پرووی تیرها که به صورت خلالت مطلق رنگ نشان داده شده، بعد از رنگ حکما پرووی تیرها خلالت زده شود.

**Legend:**

ICI=Part 01-For Col-Intricity	Iii=Part 01-For IPE Beams-Intricity
IBI=Beam And 01 Th Type At Part 01	ST=Stair
Ibi=Part 01-For Beams-Intricity	LP=Loose Part
ICI=Columns And 01 Th Type At Part 01	
Ii=Part 01-IPE Beam	

**General Corner Welding Dimensions For Beams&Columns**

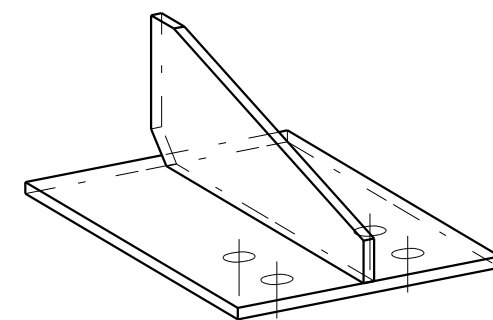
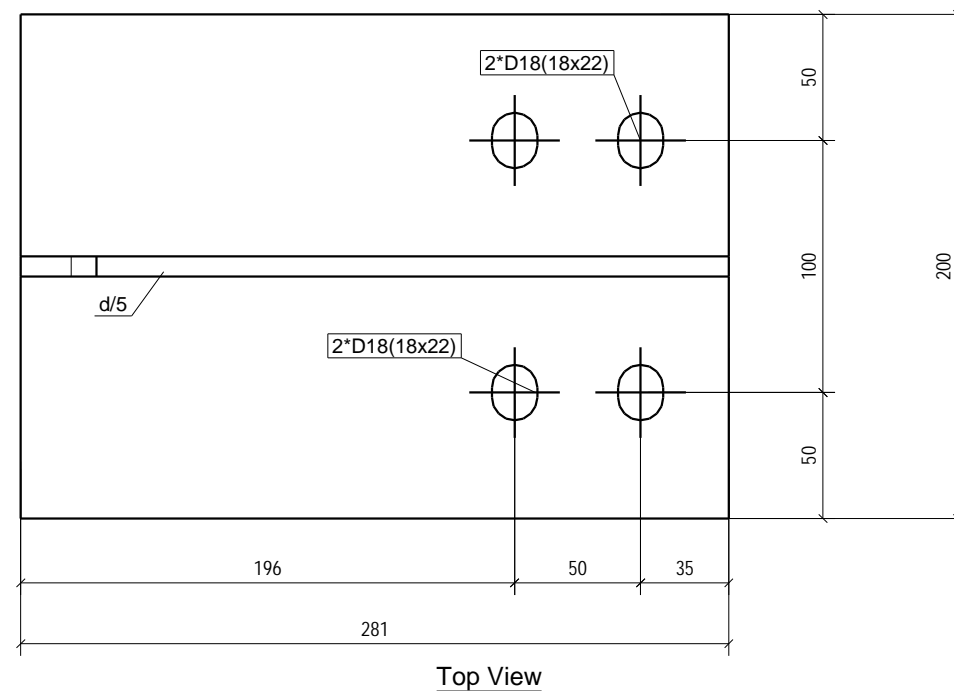
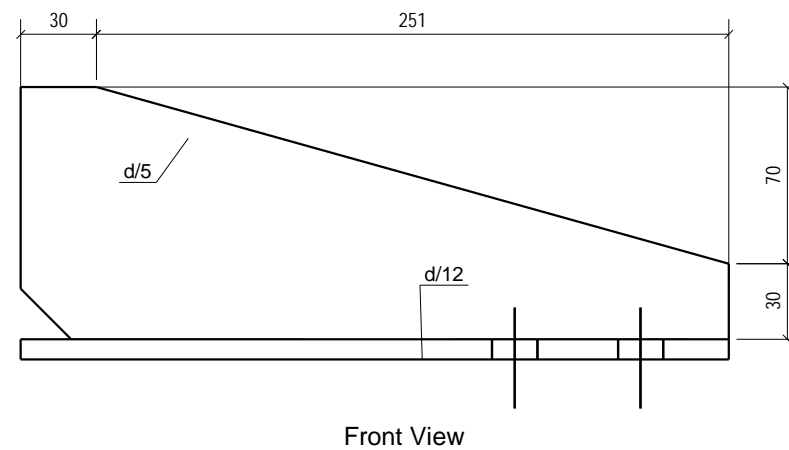
Section	C.W.D	Section	C.W.D	Section	C.W.D	Section	C.W.D	General Notes:
								چوش بانی اتصالات با بعد هفت دهم ضخامت ورق نازکتر اجرا گردد.

REV.	01	1395-02-01	Rad.Engineer	Rad.Engineer	Rad.Engineer
Phase Number:	Created date:	Modeled By:	Checked By:	Project Manager:	

DESCRIPTION:	PROJECT TITLE:	CONTRACTOR:
SCALE:	سوله گل گهر سیرجان	
UNIT:	OWNER:	
FIELD:	CONSULTANT:	
PHASE:	DRAWING TITLE:	C/3
01		

BILL OF MATERIAL

MATERIAL LIST FOR ONE ASSEMBLY				No. Required :	
Grid: <b>J/1</b>		<b>DGR/3</b>		<b>28</b>	
Mark	Grade	Size	No	Length	Weight PC
d/5	ST37	PL8*100	1	281	1.20
d/12	ST37	PL8*200	1	281	3.53
Total Weight(Kg):					<b>4.7</b>



GENERAL NOTES

- 1- جهات شمال و جنوب درستونها، جهات جغرافیایی محل نصب میباشد.
- 2- جهت نصب حتما و فقط در قسمت بالای تیر علامت زده شود.

Legend:

lci=Part 01-For Col-Intracacy	lii=Part 01-For IPE Beams-Intracacy
lB1=Beam And 01Th Type At Part 01	ST=Stair
lbi=Part 01-For Beams-Intracacy	LP=Loose Part
lC1=Collumns And 01 Th Type At Part 01	
li=Part 01-IPE Beam	

General Corner Welding Dimensions For Beams&Collumns

Sections	C.W.D/Sections	C.W.D/Sections	C.W.D/Sections	C.W.D/Sections	C.W.D/Sections	C.W.D/Sections	C.W.D/Sections	General Notes:
								جوش باقی اتصالات با بعد
								هفت دهم ضخامت
								ورق نازکتر اجرا گردد.

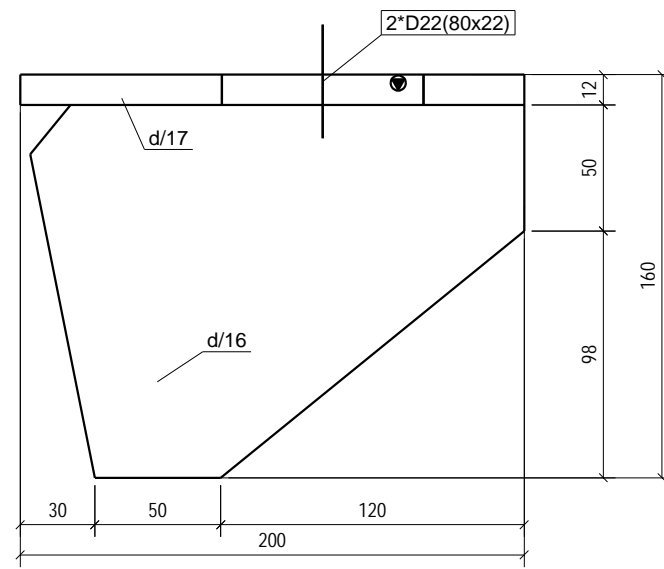
0	01	1395-02-01	Rad.Engineer	Rad.Engineer	Rad.Engineer
REV.	Phase Number:	Created date:	Modeled By:	Checked By:	Project Manager:

DESCRIPTION	PROJECT TITLE:	CONTRACTORE:	
SCALE:	سوله گل گهر سیرجان		
UNIT:	OWNER:		
mm			
FIELD:	CONSULTANT:		
Structure			
PHASE:	DRAWING TITLE:		
01	DGR/3		
Project No.:	- PH. 01	R. 0	1/1

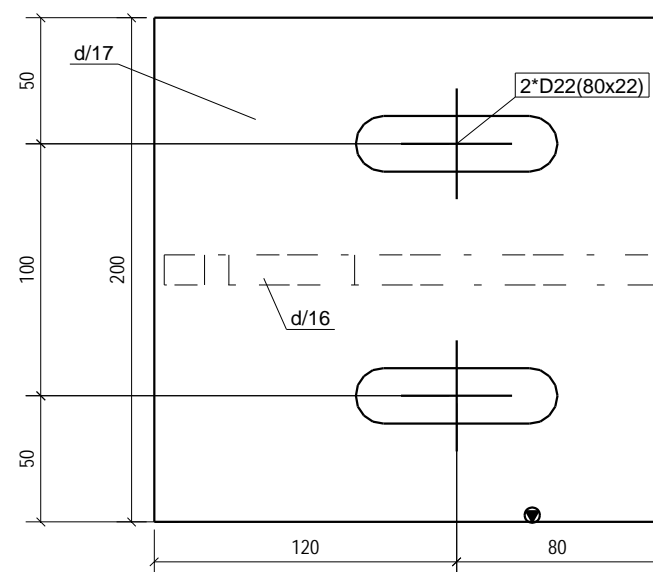


BILL OF MATERIAL

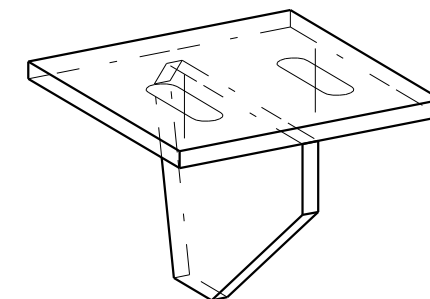
MATERIAL LIST FOR ONE ASSEMBLY					No. Required :
Grid: <b>A/3</b>			<b>DWP/1</b>		<b>4</b>
Mark	Grade	Size	No	Length	Weight PC
d/16	ST37	PL12*148	1	196	2.01
d/17	ST37	PL12*200	1	200	3.77
Total Weight(Kg):					<b>5.8</b>



Front View



Top View



GENERAL NOTES

- جهت شمال و جنوب درستونها، جهات جغرافیایی محل نصب میباشد.
- جهت نصب حتماً فقط در قسمت بالای تیر علامت زده شود.

Legend:

lci=Part 01-For Col-Intracacy	lii=Part 01-For IPE Beams-Intracacy
lbi=Beam And 01 Th Type At Part 01	ST=Stair
lci=Collumns And 01 Th Type At Part 01	LP=Loose Part
li=Part 01-IPE Beam	

General Corner Welding Dimensions For Beams&Collumns

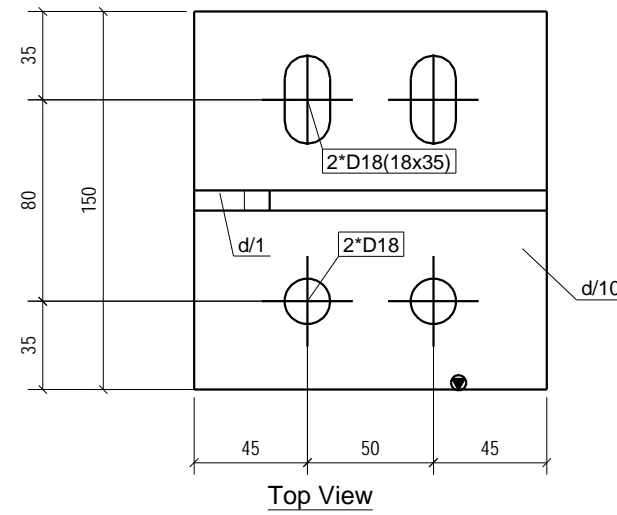
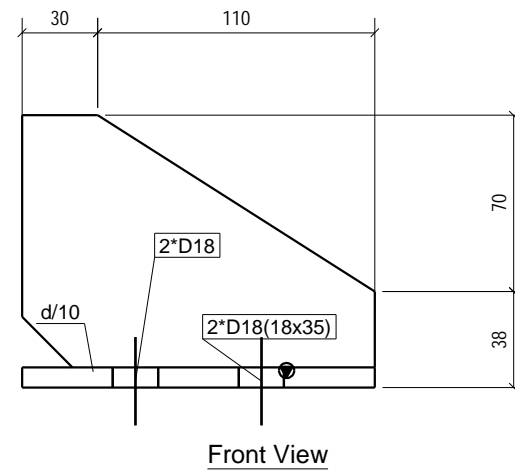
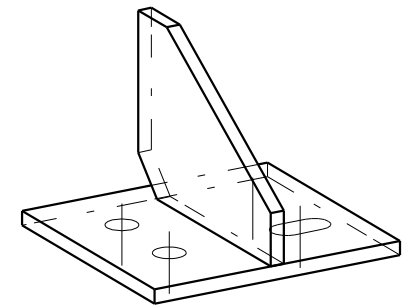
Sections	C.W.D/Sections	C.W.D/Sections	C.W.D/Sections	C.W.D/Sections	C.W.D/Sections	C.W.D/Sections	C.W.D/Sections	General Notes:
								جوش باقی اتصالات با بعد
								هفت دهم ضخامت
								ورق نازکتر اجرا گردد.

0	01	1395-02-01	Rad.Engineer	Rad.Engineer	Rad.Engineer
REV.	Phase Number:	Created date:	Modeled By:	Checked By:	Project Manager:

DESCRIPTION	PROJECT TITLE:	CONTRACTORE:
SCALE:	سوله گل گهر سیرجان	
N.T.S		
UNIT:	OWNER:	
mm		
FIELD:	CONSULTANT:	
Structure		
PHASE:	DRAWING TITLE:	
01	DWP/1	
Project No.:	- PH. 01	R. 0
		1/1

## BILL OF MATERIAL

MATERIAL LIST FOR ONE ASSEMBLY				No. Required :	
<b>Grid: B/2</b>		<b>DZ/1</b>		<b>90</b>	
Mark	Grade	Size	No	Length	Weight PC
d/1	ST37	PL8*100	1	140	0.62
d/10	ST37	PL8*150	1	140	1.32
Total Weight(Kg):					<b>1.9</b>



### GENERAL NOTES

- 1- جهات شمال و جنوب درستونها، جهات جغرافیایی محل نصب میباشد.
- 2- جهت نصب حتما و فقط در قسمت بالای تیر علامت زده شود.

### Legend:

lci=Part 01-For Col-Intracacy	lii=Part 01-For IPE Beams-Intracacy
lB1=Beam And 01 Th Type At Part 01	ST=Stair
lbi=Part 01-For Beams-Intracacy	LP=Loose Part
lC1=Collumns And 01 Th Type At Part 01	
li=Part 01-IPE Beam	

### General Corner Welding Dimensions For Beams&Collumns

Sections	C.W.D/Sections	C.W.D/Sections	C.W.D/Sections	C.W.D/Sections	C.W.D/Sections	C.W.D/Sections	C.W.D/Sections	General Notes:
								جوش باقی اتصالات با بعد
								هفت دهم ضخامت
								ورق نازکتر اجرا گردد.

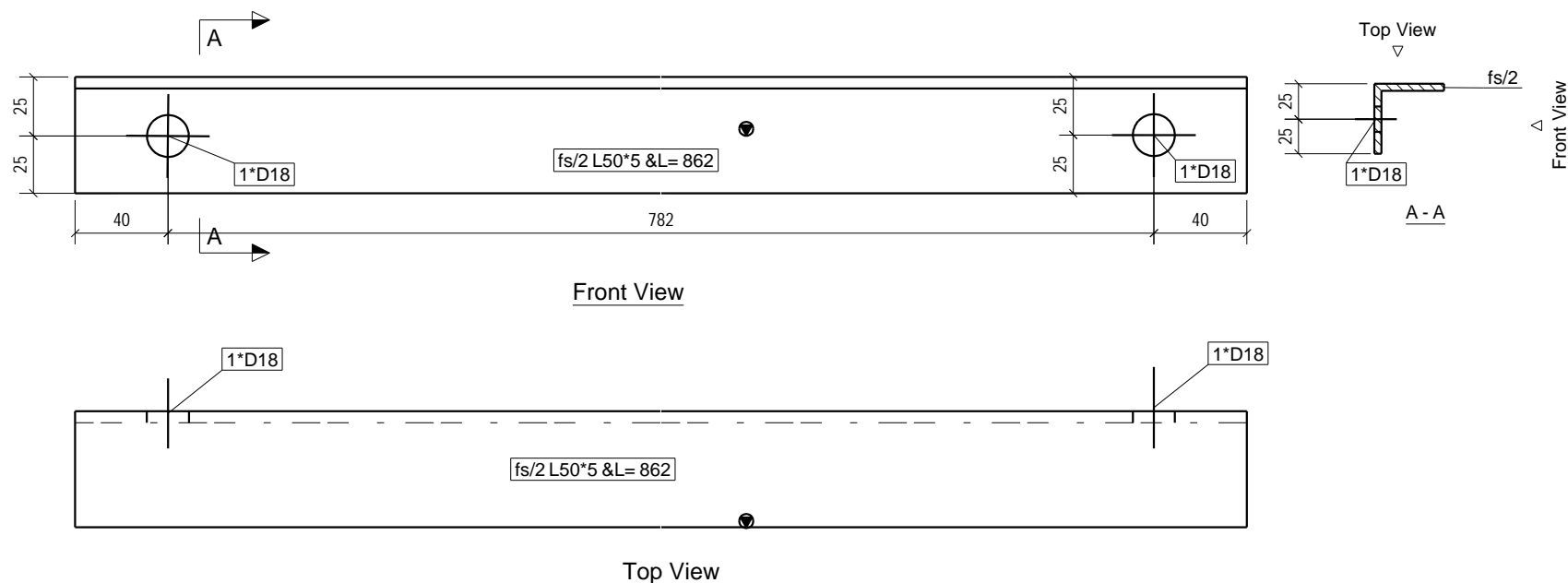
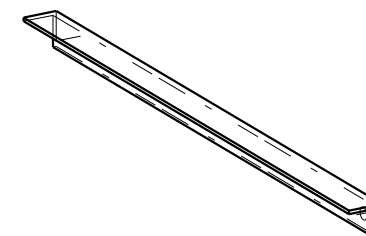
0	01	1395-02-01	Rad.Engineer	Rad.Engineer	Rad.Engineer
REV.	Phase Number:	Created date:	Modeled By:	Checked By:	Project Manager:

DESCRIPTION	PROJECT TITLE:	CONTRACTORE:
SCALE:	سوله گل گهر سیرجان	
UNIT:	OWNER:	
mm		
FIELD:	CONSULTANT:	
Structure		
PHASE:	DRAWING TITLE:	
01	DZ/1	
Project No.:	- PH. 01	R. 0
		<b>1/1</b>



BILL OF MATERIAL

MATERIAL LIST FOR ONE ASSEMBLY					No. Required :
Grid: <A/4-3			FS/2		36
Mark	Grade	Size	No	Length	Weight PC
fs/2	ST37	L50*5	1	862	3.25
Total Weight(Kg):					3.2



GENERAL NOTES

- 1- جهات شمال و جنوب درستونها، جهات جغرافیایی محل نصب میباشد.
- 2- جهت نصب حتما و فقط در قسمت بالای تیر علامت زده شود.

Legend:

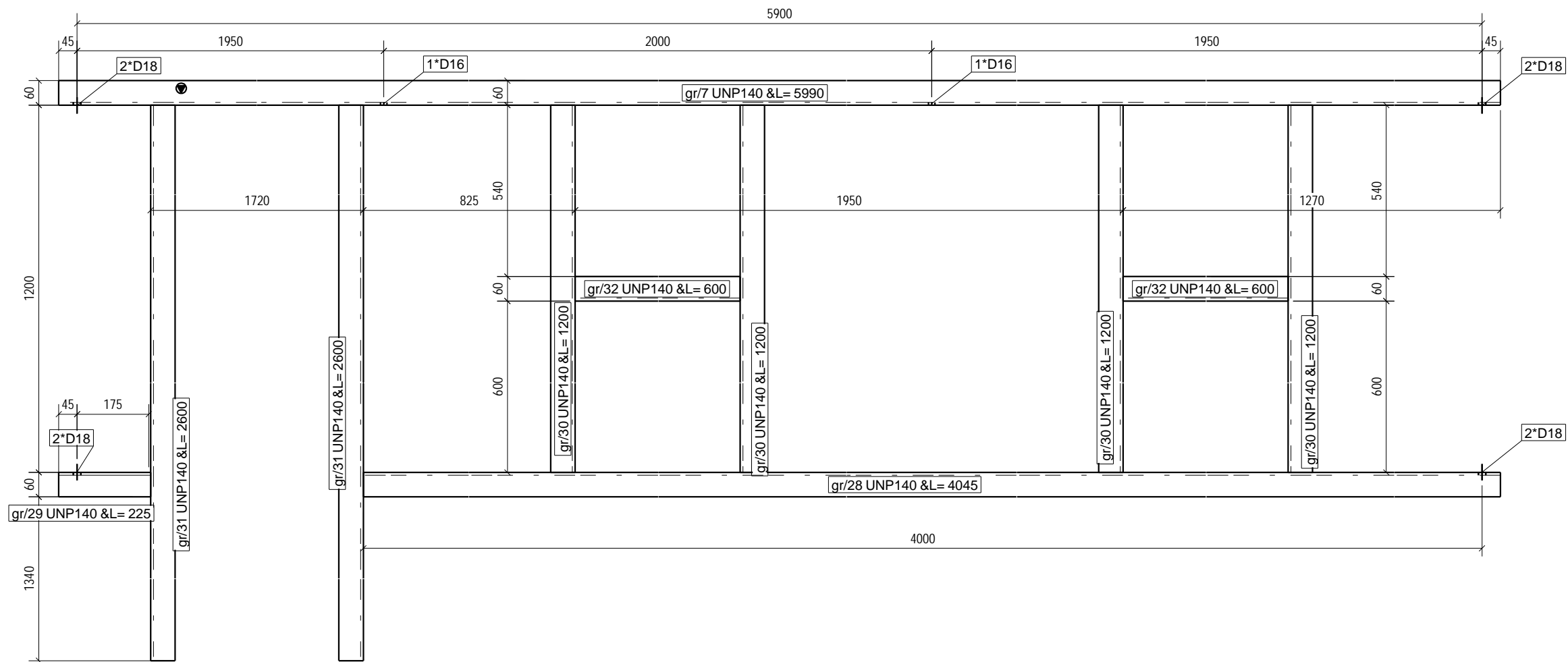
lci=Part 01-For Col-Intracacy	lii=Part 01-For IPE Beams-Intracacy
lbi=Beam And 01 Th Type At Part 01	ST=Stair
lci=Collumns And 01 Th Type At Part 01	LP=Loose Part
li=Part 01-IPE Beam	

General Corner Welding Dimensions For Beams&Collumns

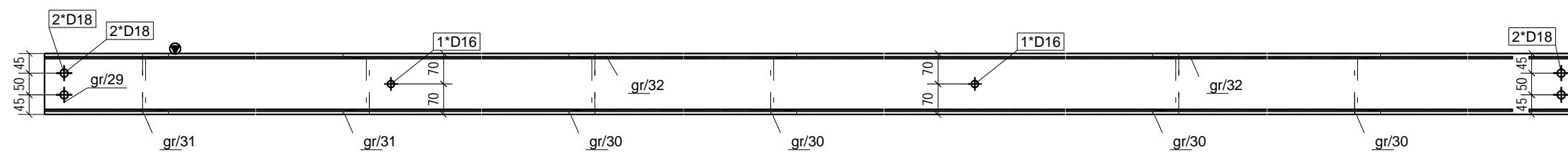
Section	C.W.D/Section	C.W.D/Section	C.W.D/Section	C.W.D/Section	C.W.D/Section	C.W.D/Section	C.W.D/Section	General Notes:
								جوش باقی اتصالات با بعد
								هفت دهم ضخامت
								ورق نازکتر اجرا گردد.

0	01	1395-02-01	Rad.Engineer	Rad.Engineer	Rad.Engineer
REV.	Phase Number:	Created date:	Modeled By:	Checked By:	Project Manager:

DESCRIPTION	PROJECT TITLE:	CONTRACTOR:
SCALE:	سوله گل گهر سیرجان	
N.T.S	OWNER:	
UNIT:	CONSULTANT:	
mm		
FIELD:	DRAWING TITLE:	
Structure	FS/2	
PHASE:		
01		
Project No.:	- PH. 01	R. 0
		1/1



Front View

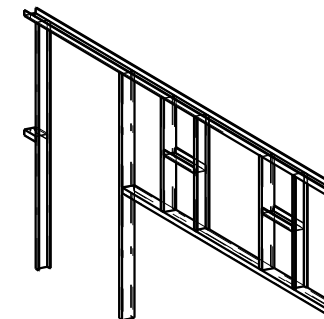


Top View

BILL OF MATERIAL

MATERIAL LIST FOR ONE ASSEMBLY No. Required : 1

Mark	Grade	Size	No	Length	Weight PC
gr/7	ST37	UNP140	1	5990	95.92
gr/28	ST37	UNP140	1	4045	64.78
gr/29	ST37	UNP140	1	225	3.60
gr/30	ST37	UNP140	4	1200	19.22
gr/31	ST37	UNP140	2	2600	41.64
gr/32	ST37	UNP140	2	600	9.61
Total Weight(Kg):					<b>343.7</b>



GENERAL NOTES

- 1- جهات شمال و جنوب درستونها، جهات جغرافیایی محل نصب میباشد.
- 2- جهت نصب حتما فقط در قسمت بالای تیر علامت زده شود.

Legend:

Ici=Part 01-For Col-Intracacy	Iii=Part 01-For IPE Beams-Intracacy
IBI=Beam And 01 Th Type At Part 01	ST=Stair
Ibi=Part 01-For Beams-Intracacy	LP=Loose Part
ICI=Collumns And 01 Th Type At Part 01	
Ii=Part 01-IPE Beam	

General Corner Welding Dimensions For Beams&Collumns

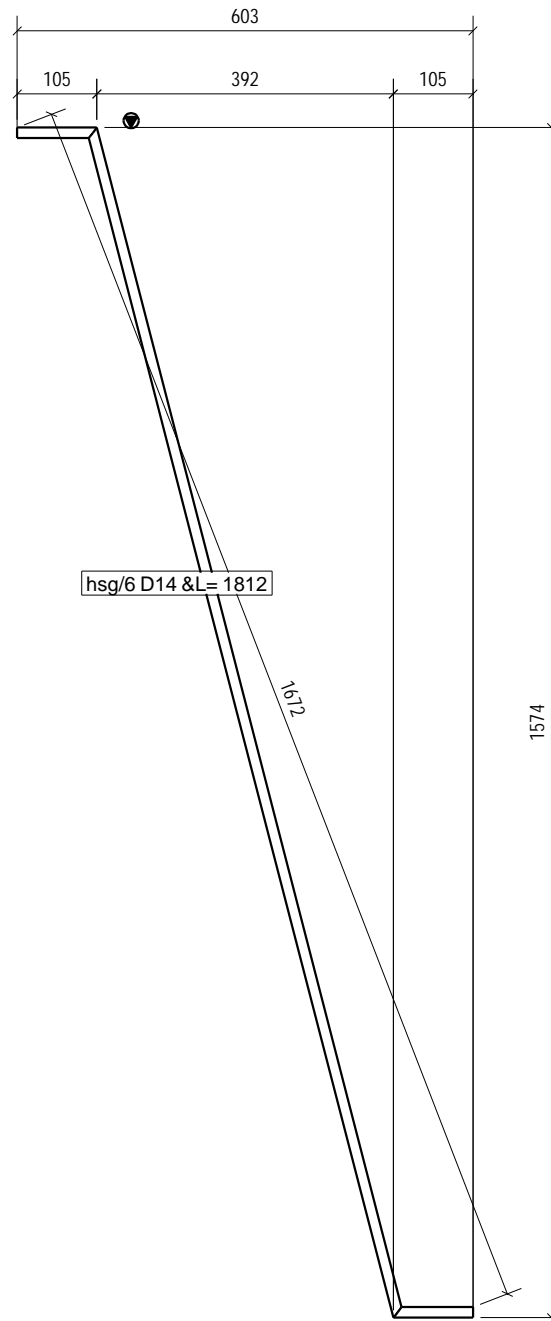
Sections	C.W.D/Sections	C.W.D/Sections	C.W.D/Sections	C.W.D/Sections	C.W.D/Sections	C.W.D/Sections	C.W.D/Sections	General Notes:
								جوش باقی اتصالات با بعد
								هفت دهم ضخامت ورق نازکتر اجرا گردد.

0	01	1395-02-01	Rad.Engineer	Rad.Engineer	Rad.Engineer
REV.	Phase Number:	Created date:	Modeled By:	Checked By:	Project Manager:

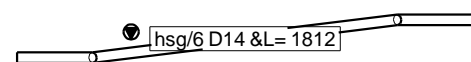
DESCRIPTION	PROJECT TITLE:	CONTRACTORE:	
SCALE:	سوله گل گهر سیرجان		
N.T.S	OWNER:		
UNIT:	mm		
FIELD:	Structure	CONSULTANT:	
PHASE:	01	DRAWING TITLE:	
		GR/4	
Project No.:	PH. 01	R. 0	1/1

BILL OF MATERIAL

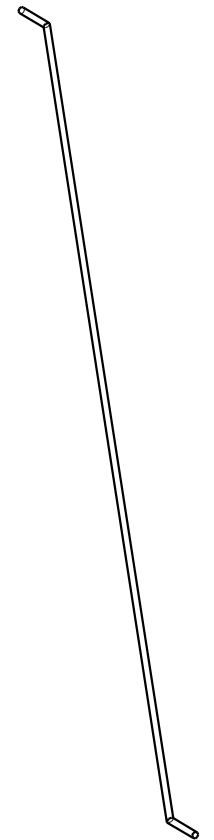
MATERIAL LIST FOR ONE ASSEMBLY					No. Required :
Grid: <b>A-B/J-4</b>			<b>HSG/6</b>		<b>32</b>
Mark	Grade	Size	No	Length	Weight PC
hsg/6	ST37	D14	1	1812	1.97
Total Weight(Kg):					<b>2.0</b>



Front View



Top View



GENERAL NOTES

- 1- جهات شمال و جنوب درستونها، جهات جغرافیایی محل نصب میباشد.
- 2- جهت نصب حتما و فقط در قسمت بالای تیر علامت زده شود.

Legend:

lci=Part 01-For Col-Intracacy	lii=Part 01-For IPE Beams-Intracacy
lbi=Beam And 01 Th Type At Part 01	ST=Stair
lbi=Part 01-For Beams-Intracacy	LP=Loose Part
lci=Collumns And 01 Th Type At Part 01	
li=Part 01-IPE Beam	

General Corner Welding Dimensions For Beams&Collumns

Sections	C.W.D/Sections	C.W.D/Sections	C.W.D/Sections	C.W.D/Sections	C.W.D/Sections	C.W.D/Sections	C.W.D/Sections	General Notes:
								جوش باقی اتصالات با بعد
								هفت دهم ضخامت
								ورق نازکتر اجرا گردد.

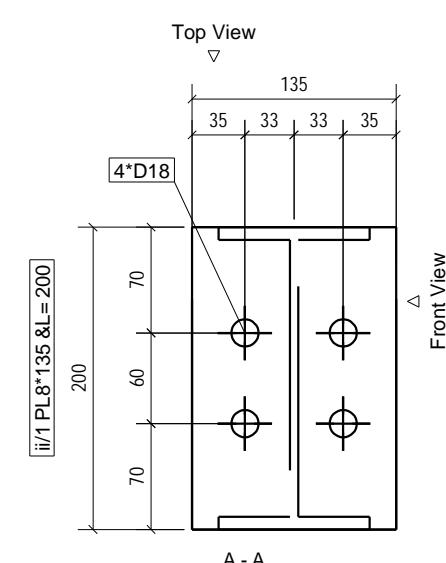
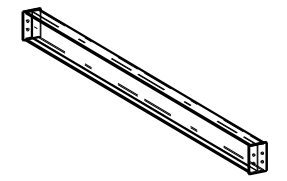
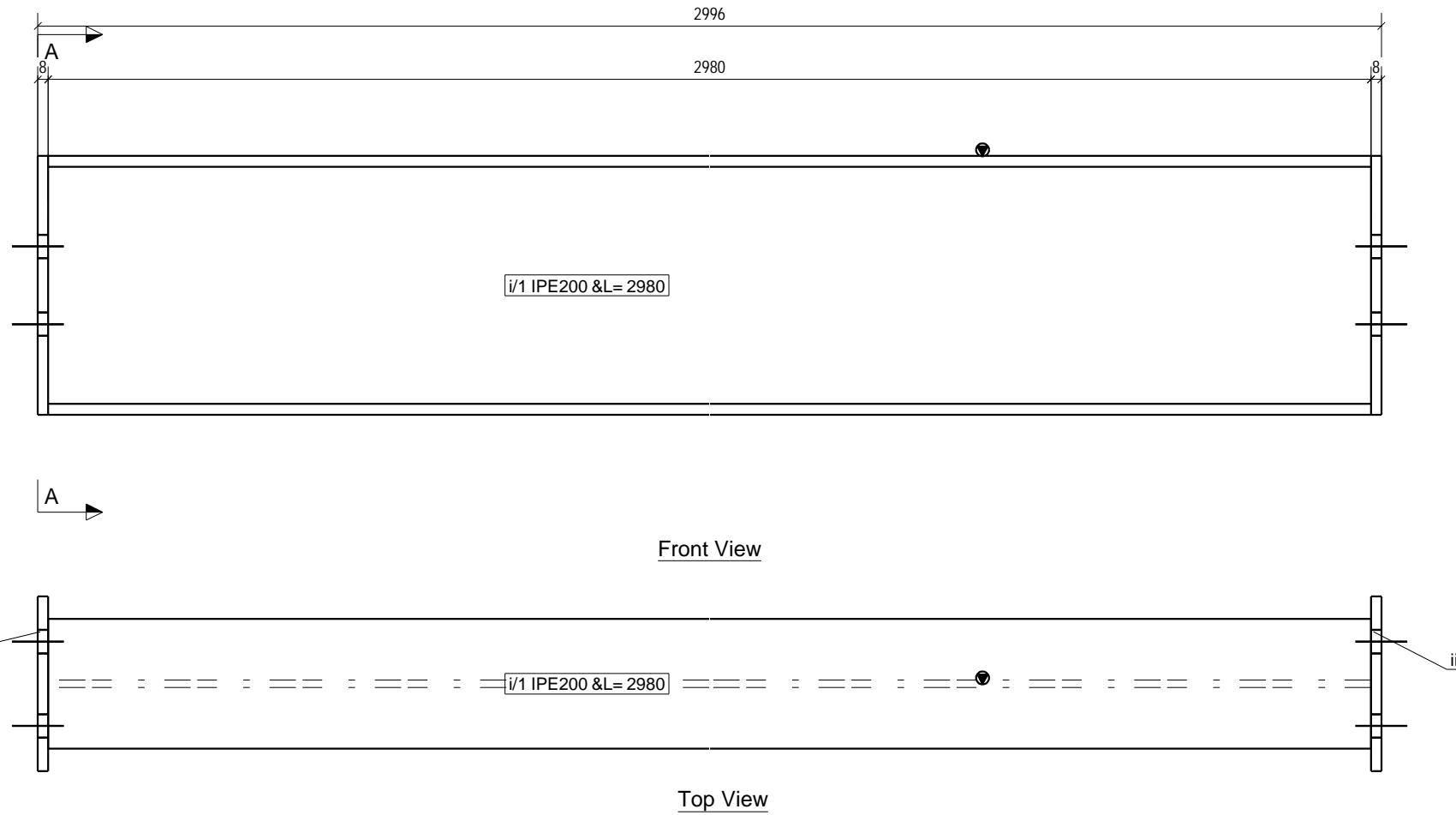
0	01	1395-02-01	Rad.Engineer	Rad.Engineer	Rad.Engineer
REV.	Phase Number:	Created date:	Modeled By:	Checked By:	Project Manager:

DESCRIPTION:	PROJECT TITLE:	CONTRACTORE:	
SCALE:	سوله گل گهر سیرجان		
UNIT:	OWNER:		
mm			
FIELD:	CONSULTANT:		
Structure			
PHASE:	DRAWING TITLE:		
01	HSG/6		
Project No.:	PH. 01	R. 0	1/1



### BILL OF MATERIAL

MATERIAL LIST FOR ONE ASSEMBLY				No. Required :	
Grid: <b>J/4-3</b>		<b>I20/1</b>		<b>4</b>	
Mark	Grade	Size	No	Length	Weight PC
i/1	ST37	IPE200	1	2980	66.67
ii/1	ST37	PL8*135	2	200	1.70
Total Weight(Kg):					<b>70.1</b>



#### GENERAL NOTES

- 1- جهات شمال و جنوب درستونها، جهات جغرافیایی محل نصب میباشد.
- 2- جهت نصب حتما و فقط در قسمت بالای تیر علامت زده شود.

#### Legend:

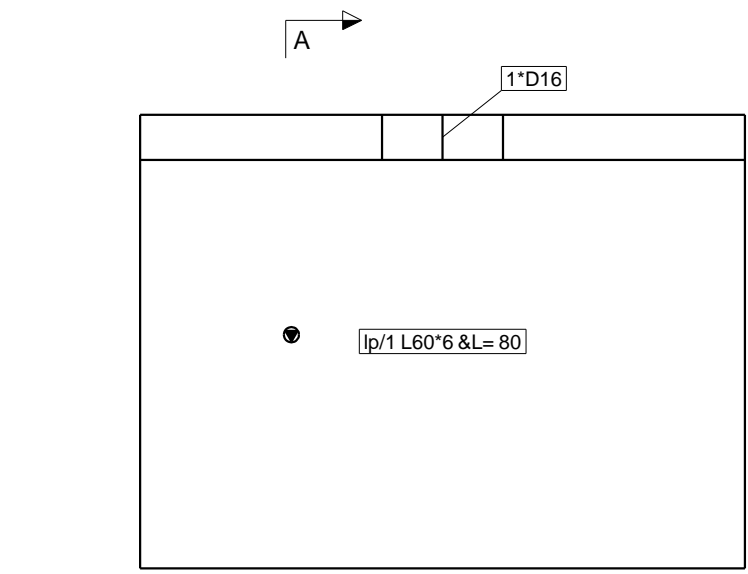
ICI=Part 01-For Col-Intracacy	Iii=Part 01-For IPE Beams-Intracacy
IB1=Beam And 01 Th Type At Part 01	ST=Stair
Ibi=Part 01-For Beams-Intracacy	LP=Loose Part
ICI=Collumns And 01 Th Type At Part 01	
Ii=Part 01-IPE Beam	

#### General Corner Welding Dimensions For Beams&Collumns

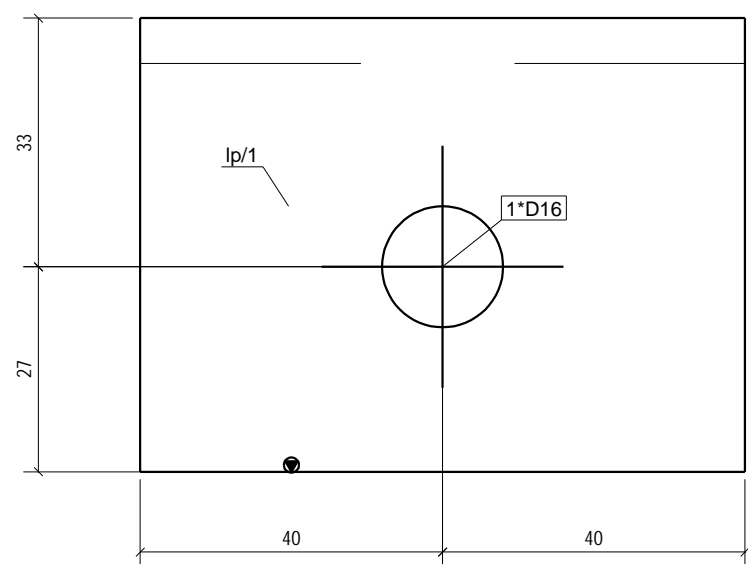
Section	C.W.D/Section	C.W.D/Section	C.W.D/Section	C.W.D/Section	C.W.D/Section	C.W.D/Section	C.W.D/Section	General Notes:
								جوش باقی اتصالات با بعد
								هفت دهم ضخامت
								ورق نازکتر اجرا گردد.

0	01	1395-02-01	Rad.Engineer	Rad.Engineer	Rad.Engineer
REV.	Phase Number:	Created date:	Modeled By:	Checked By:	Project Manager:

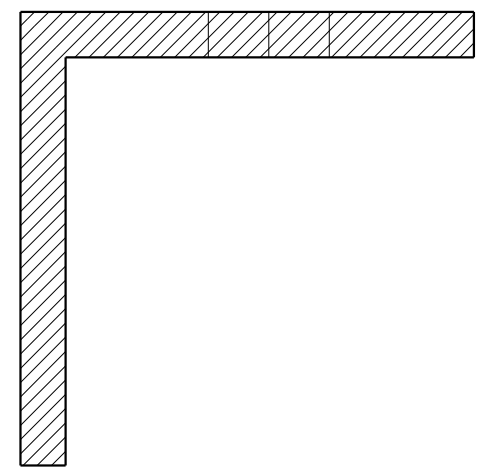
DESCRIPTION	PROJECT TITLE:	CONTRACTORE:	
SCALE:	سوله گل گهر سیرجان		
N.T.S			
UNIT:	OWNER:		
mm			
FIELD:	CONSULTANT:		
Structure			
PHASE :	DRAWING TITLE:		
01	I20/1		
Project No.:	- PH. 01	R. 0	1/1



Front View



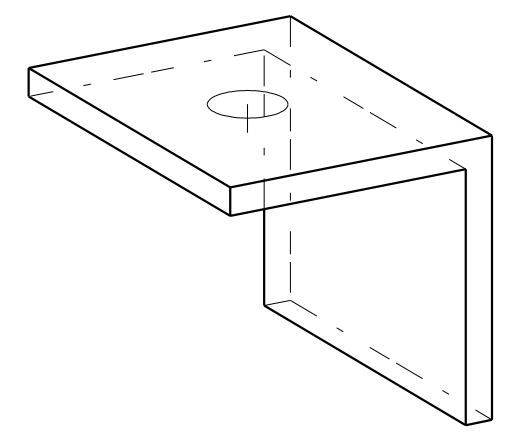
Top View



A - A

BILL OF MATERIAL

MATERIAL LIST FOR ONE ASSEMBLY					No. Required :
Grid: <b>A-B/4</b>			<b>LP/1</b>		<b>88</b>
Mark	Grade	Size	No	Length	Weight PC
lp/1	ST37	L60*6	1	80	0.43
Total Weight(Kg):					<b>0.4</b>



GENERAL NOTES

- 1- جهات شمال و جنوب درستونها، جهات جغرافیایی محل نصب میباشد.
- 2- جهت نصب حتما و فقط در قسمت بالای تیر علامت زده شود.

Legend:

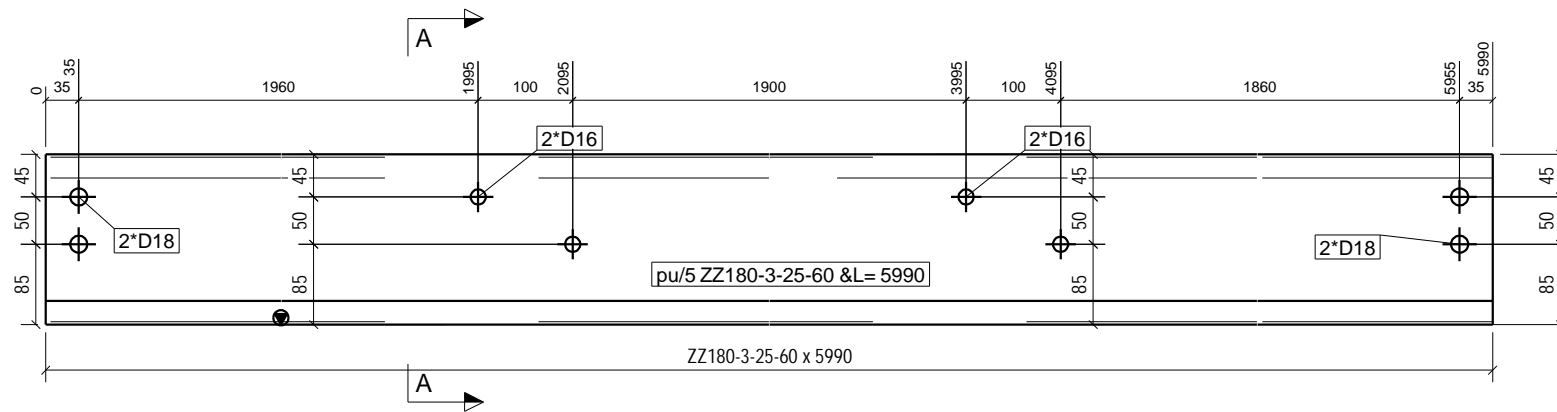
lci=Part 01-For Col-Intracacy	lii=Part 01-For IPE Beams-Intracacy
lbi=Beam And 01 Th Type At Part 01	ST=Stair
lci=Collumns And 01 Th Type At Part 01	LP=Loose Part
li=Part 01-IPE Beam	

General Corner Welding Dimensions For Beams&Collumns

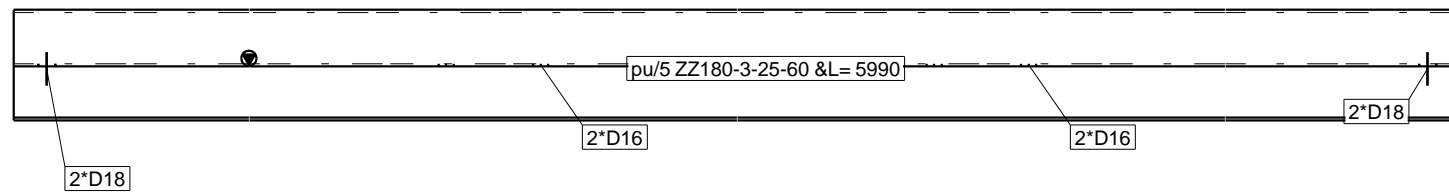
Sections	C.W.D/Sections	C.W.D/Sections	C.W.D/Sections	C.W.D/Sections	C.W.D/Sections	C.W.D/Sections	C.W.D/Sections	General Notes:
								جوش باقی اتصالات با بعد
								هفت دهم ضخامت ورق نازکتر اجرا گردد.

0	01	1395-02-01	Rad.Engineer	Rad.Engineer	Rad.Engineer
REV.	Phase Number:	Created date:	Modeled By:	Checked By:	Project Manager:

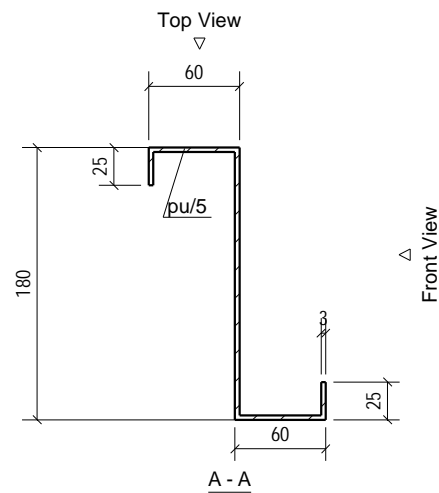
DESCRIPTION	PROJECT TITLE:	CONTRACTORE:	
SCALE:	سوله گل گهر سیرجان		
N.T.S	OWNER:		
UNIT:	CONSULTANT:		
mm			
FIELD:	DRAWING TITLE:		
Structure	LP/1		
PHASE:			
01			
Project No.:	- PH. 01	R. 0	1/1



Front View



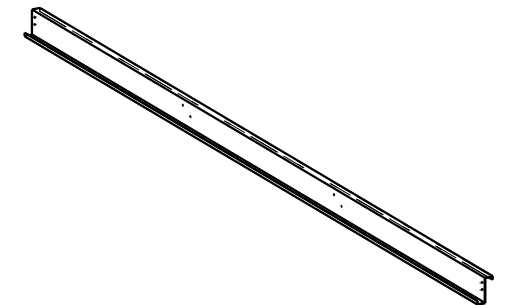
Top View



Front View

BILL OF MATERIAL

MATERIAL LIST FOR ONE ASSEMBLY				No. Required :	
Grid: <b>B-C/1</b>		<b>PU/5</b>		<b>18</b>	
Mark	Grade	Size	No	Length	Weight PC
pu/5	ST37	ZZ180-3-25-60	1	5990	47.68
Total Weight(Kg):					<b>47.7</b>



GENERAL NOTES

- 1- جهات شمال و جنوب درستونها، جهات جغرافیایی محل نصب میباشد.
- 2- جهت نصب حتما فقط در قسمت بالای تیر علامت زده شود.

Legend:

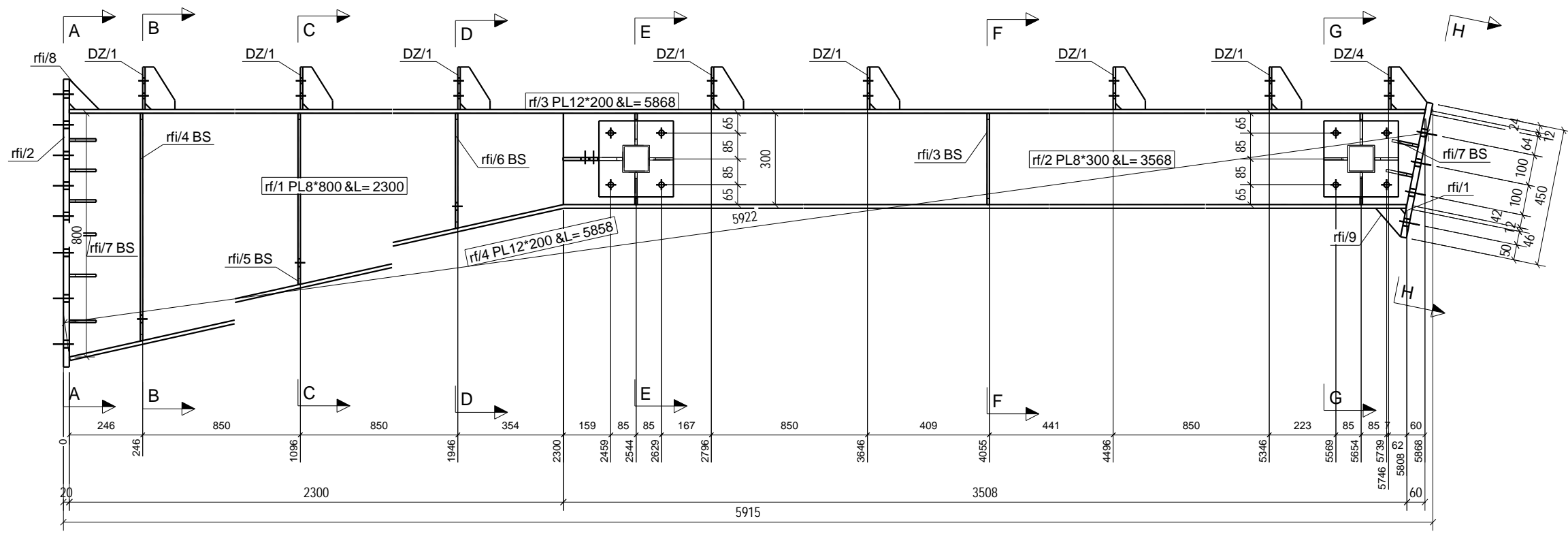
lci=Part 01-For Col-Intracacy	lii=Part 01-For IPE Beams-Intracacy
IB1=Beam And 01 Th Type At Part 01	ST=Stair
lbi=Part 01-For Beams-Intracacy	LP=Loose Part
ICI=Collumns And 01 Th Type At Part 01	
li=Part 01-IPE Beam	

General Corner Welding Dimensions For Beams&Collumns

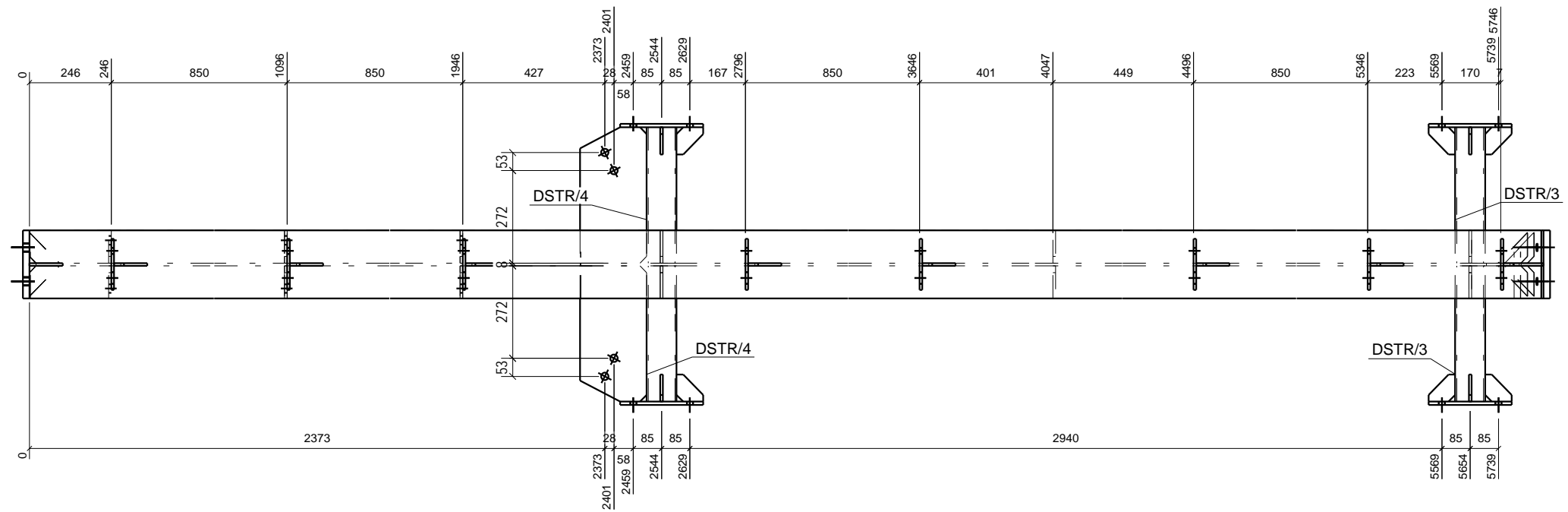
Sections	C,W,D/Sections	C,W,D/Sections	C,W,D/Sections	C,W,D/Sections	C,W,D/Sections	C,W,D/Sections	C,W,D/Sections	General Notes:
								جوش باقی اتصالات با بعد هفت دهم ضخامت ورق نازکتر اجرا گردد.

0	01	1395-02-01	Rad.Engineer	Rad.Engineer	Rad.Engineer
REV.	Phase Number:	Created date:	Modeled By:	Checked By:	Project Manager:

DESCRIPTION:	PROJECT TITLE:	CONTRACTORE:	
SCALE:	سوله گل گهر سیرجان		
UNIT:	OWNER:		
FIELD:	CONSULTANT:		
PHASE:	DRAWING TITLE:		
01	PU/5		
Project No.:	- PH. 01	R. 0	1/1



Front View



Top View

BILL OF MATERIAL

MATERIAL LIST FOR ONE ASSEMBLY No. Required: 2

Grid: **G/3a-1** **RF/6**

Mark	Grade	Size	No	Length	Weight PC
rf/1	ST37	PL8*800	1	2300	79.44
rf/2	ST37	PL8*300	1	3568	66.66
rf/3	ST37	PL12*200	1	5868	110.55
rf/4	ST37	PL12*200	1	5858	110.36
rfi/1	ST37	PL20*200	1	450	14.13
rfi/2	ST37	PL20*200	1	945	29.67
rfi/3	ST37	PL8*96	2	300	1.78
rfi/4	ST37	PL8*96	2	746	4.48
rfi/5	ST37	PL8*96	2	562	3.36
rfi/6	ST37	PL8*96	2	377	2.25
rfi/7	ST37	PL8*90	16	90	0.24
rfi/8	ST37	PL8*100	1	100	0.30
rfi/9	ST37	PL8*61	1	125	0.29
DSTR/3	ASSEMBLY		2		13
DSTR/4	ASSEMBLY		2		18
DZ/1	ASSEMBLY		7		2
DZ/4	ASSEMBLY		1		2
Total Weight(Kg):					<b>516.1</b>

General Notes:

-1 علامت نصب دربروي تیرها که به صورت علامت مقلی رنگ نشان داده شده، بعد از رنگ حکما بربروي تیرها علامت زده شود.

Legend:

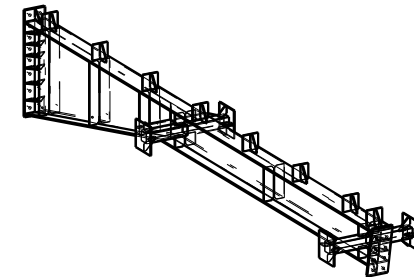
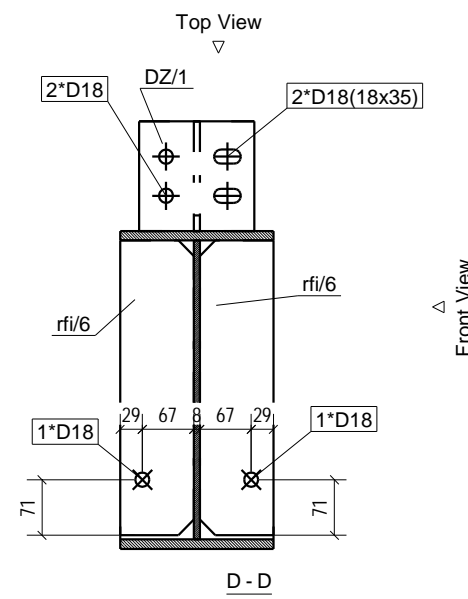
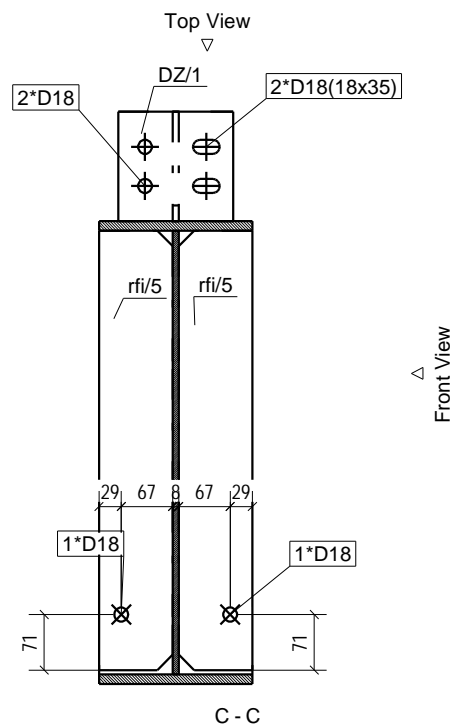
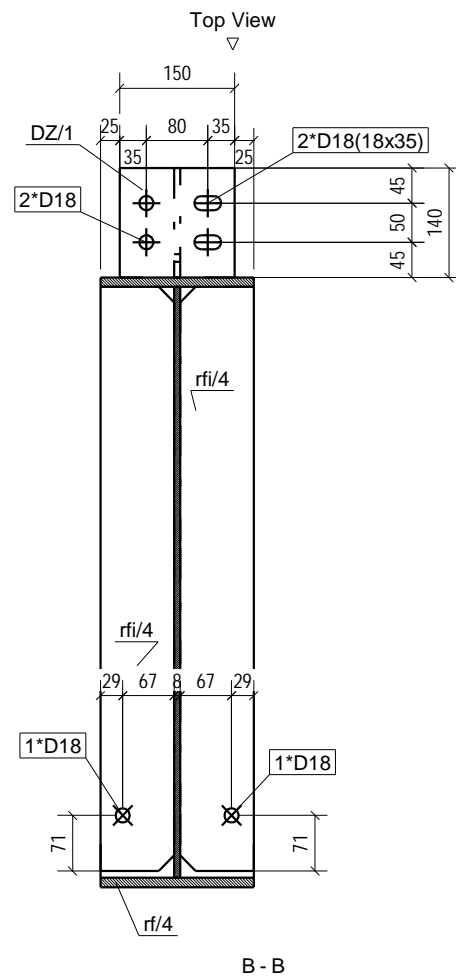
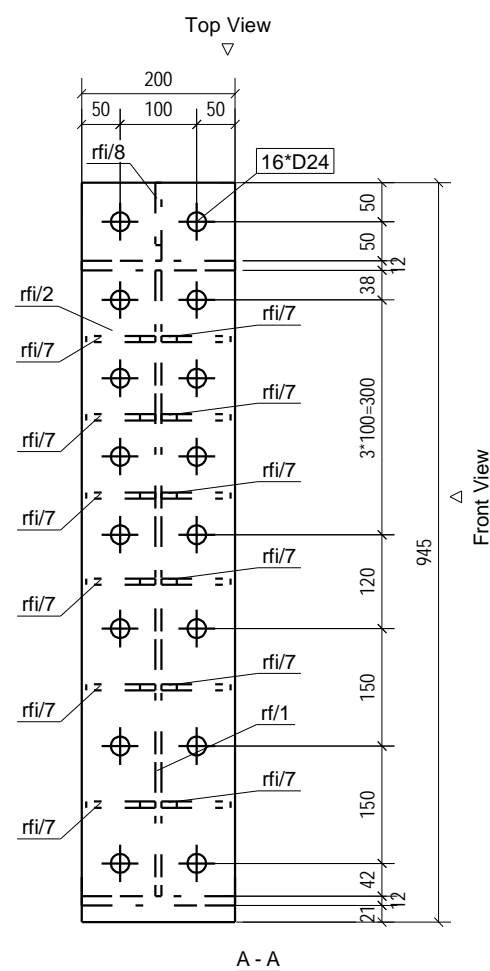
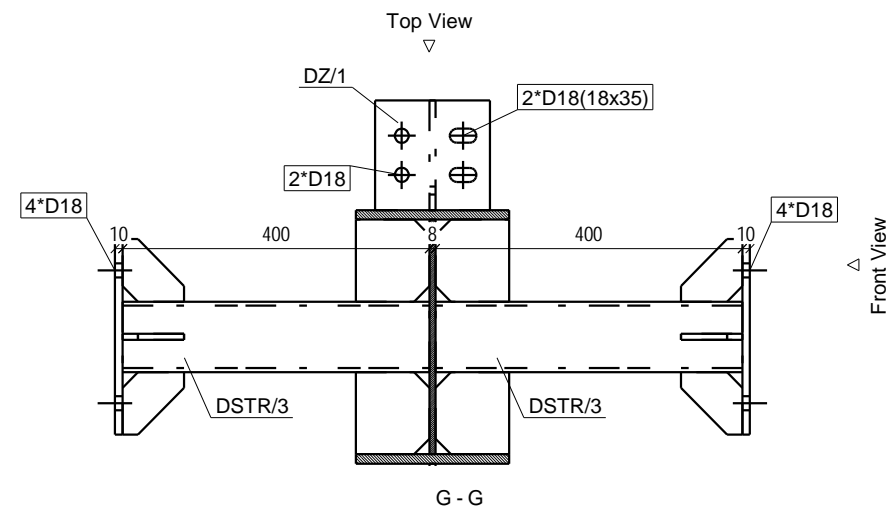
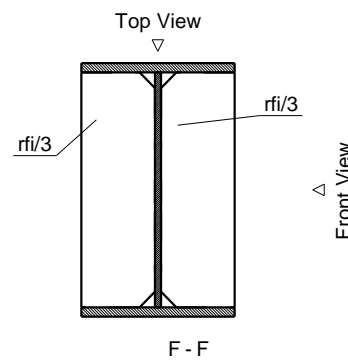
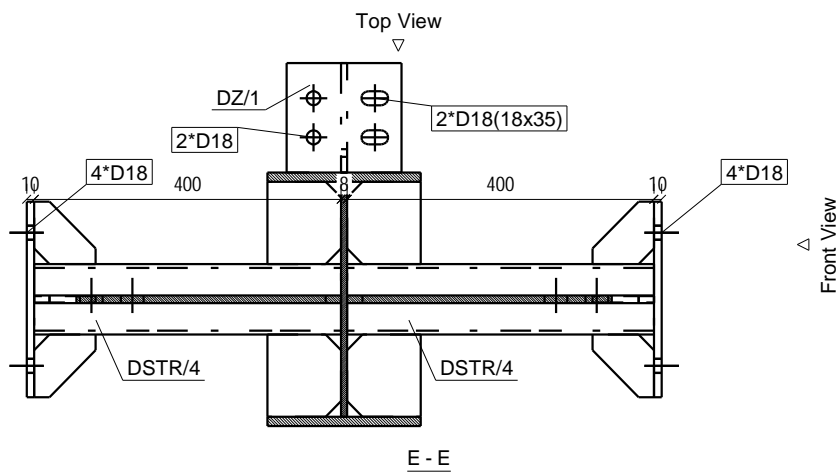
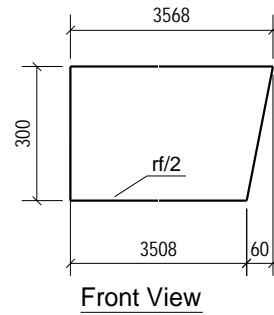
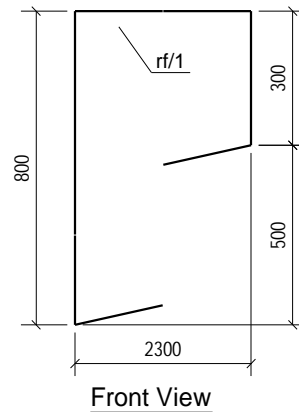
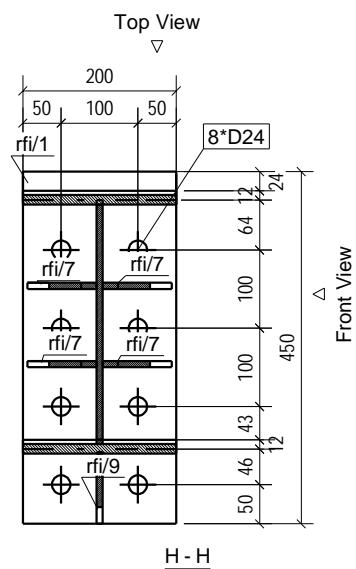
Ici=Part 01-For Col-Intricity	Iii=Part 01-For IPE Beams-Intricity
IB1=Beam And 01 Th Type At Part 01	ST=Stair
Ibi=Part 01-For Beams-Intricity	LP=Loose Part
IC1=Columns And 01 Th Type At Part 01	
Ii=Part 01-IPE Beam	

General Corner Welding Dimensions For Beams&Columns

Sections	C.W.D	Sections	C.W.D	Sections	C.W.D	Sections	C.W.D	General Notes:
								بنايي اتصالات يا بعد
								هفت دهم ضخامت
								ورق جوش اجرا گردد.

0	01	1395-02-01	Rad.Engineer	Rad.Engineer	Rad.Engineer
REV.	Phase Number:	Created date:	Modeled By:	Checked By:	Project Manager:

DESCRIPTION	PROJECT TITLE:	CONTRACTOR:
SCALE:	سوله گل گهر سیرجان	
N.T.S		
UNIT:	OWNER:	
mm		
FIELD:	CONSULTANT:	
Structure		
PHASE:	DRAWING TITLE:	
01	RF/6	



**General Notes:**

-1 علاقت نصب دربروي تیرها که به صورت علاقت مطلق رنگ نشان داده شده، بعد از رنگ حکما برروي تیرها علاقت زده شود.

**Legend:**

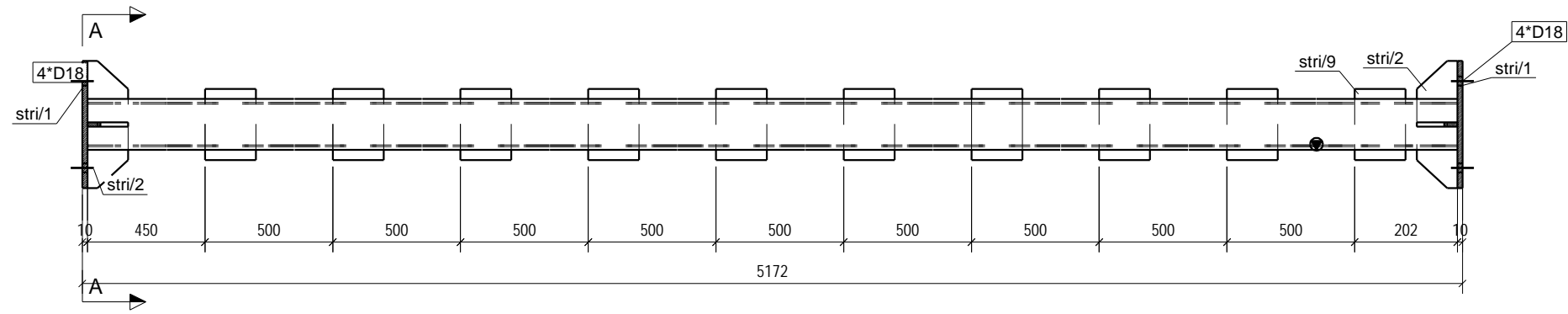
Ici=Part 01-For Col-Intricity	Iii=Part 01-For IPE Beams-Intricity
IB1=Beam And 01 Th Type At Part 01	ST=Stair
Ibi=Part 01-For Beams-Intricity	LP=Loose Part
IC1=Collumns And 01 Th Type At Part 01	
Ii=Part 01-IPE Beam	

**General Corner Welding Dimensions For Beams&Collumns**

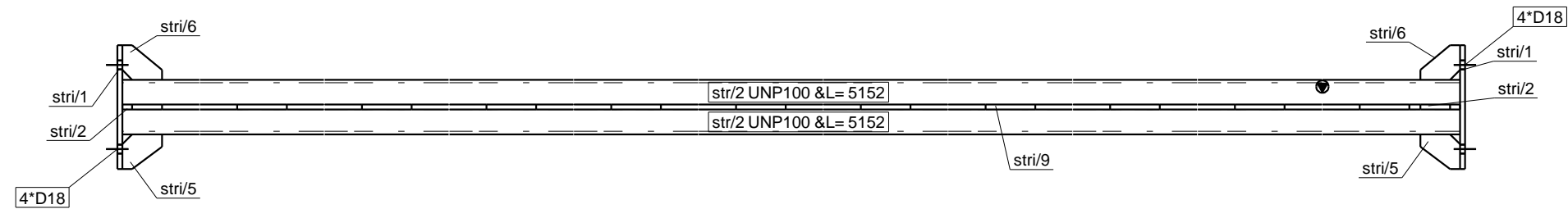
Sections	C.W.D	Sections	C.W.D	Sections	C.W.D	Sections	C.W.D	General Notes:
								چوش بانی اتصالات با بعد هفت دهم ضخامت ورق نازکتر اجرا گردد.

0	01	1395-02-01	Rad.Engineer	Rad.Engineer	Rad.Engineer
REV.	Phase Number:	Created date:	Modeled By:	Checked By:	Project Manager:

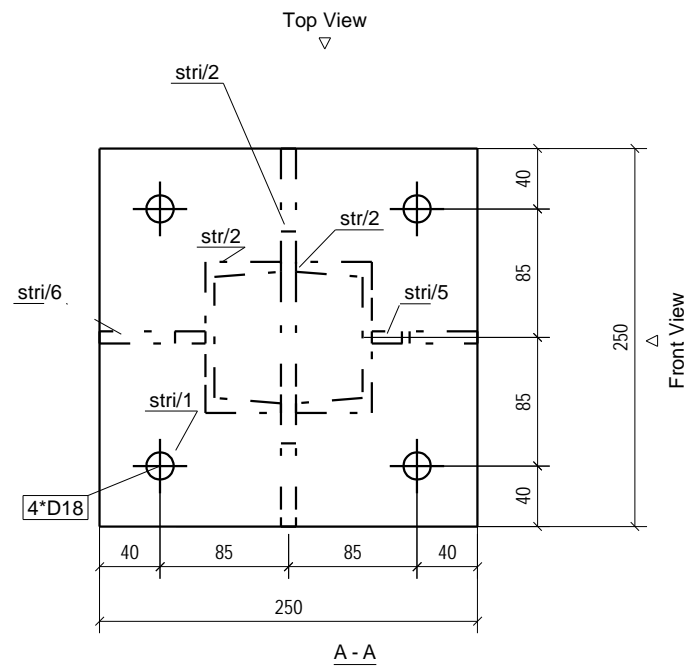
DESCRIPTION:	PROJECT TITLE:	CONTRACTORE:
SCALE:	N.T.S	سوله گل گهر سیرجان
UNIT:	OWNER:	
FIELD:	Structure	CONSULTANT:
PHASE:	01	DRAWING TITLE:
		RF/6



Front View



Top View

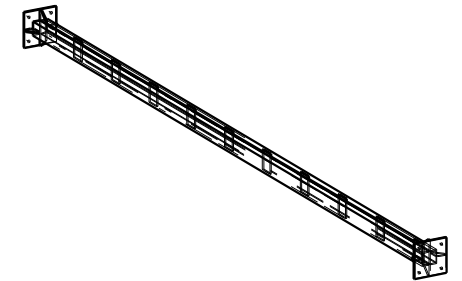


A - A

BILL OF MATERIAL

MATERIAL LIST FOR ONE ASSEMBLY No. Required :

Mark	Grade	Size	No	Length	Weight PC
str/2	ST37	UNP100	2	5152	54.60
stri/1	ST37	PL10*250	2	250	4.91
stri/2	ST37	PL10*80	2	250	1.31
stri/5	ST37	PL8*70	2	80	0.25
stri/6	ST37	PL8*70	2	80	0.24
stri/9	ST37	PL10*100	10	140	1.10
Total Weight(Kg):					133.6



GENERAL NOTES

- 1- جهات شمال و جنوب درستونها، جهات جغرافیایی محل نصب میباشد.
- 2- جهت نصب حتما و فقط در قسمت بالای تیر علامت زده شود.

Legend:

lci=Part 01-For Col-Intracacy	lii=Part 01-For IPE Beams-Intracacy
lB1=Beam And 01Th Type At Part 01	ST=Stair
lbi=Part 01-For Beams-Intracacy	LP=Loose Part
lC1=Collumns And 01 Th Type At Part 01	
li=Part 01-IPE Beam	

General Corner Welding Dimensions For Beams&Collumns

Sections	C.W.D/Sections	C.W.D/Sections	C.W.D/Sections	C.W.D/Sections	C.W.D/Sections	C.W.D/Sections	C.W.D/Sections	General Notes:
								جوش باقی اتصالات با بعد
								هفت دهم ضخامت
								ورق نازکتر اجرا گردد.

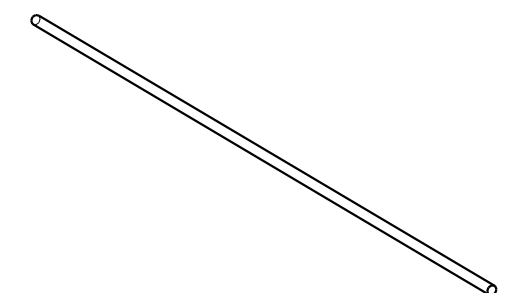
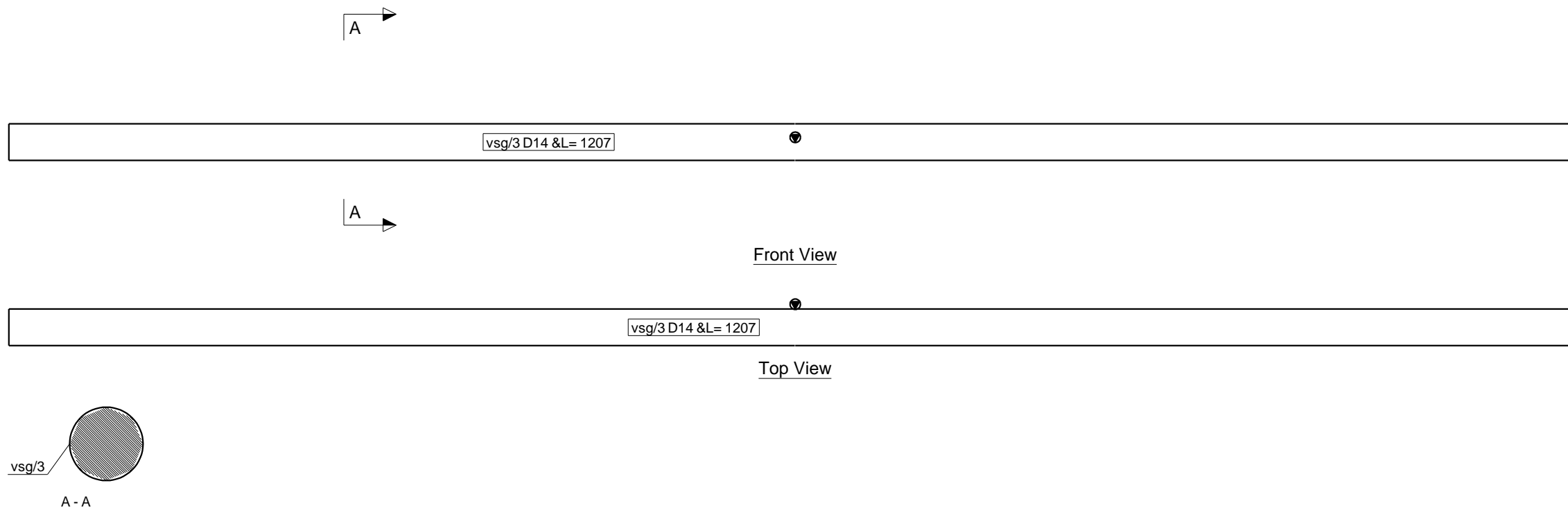
0	01	1395-02-01	Rad.Engineer	Rad.Engineer	Rad.Engineer
REV.	Phase Number:	Created date:	Modeled By:	Checked By:	Project Manager:

DESCRIPTION	PROJECT TITLE:	CONTRACTORE:	
SCALE:	سوله گل گهر سیرجان		
UNIT:	OWNER:		
FIELD:	CONSULTANT:		
PHASE:	DRAWING TITLE:		
01	STR/4		
Project No.:	PH. 01	R. 0	1/1



BILL OF MATERIAL

MATERIAL LIST FOR ONE ASSEMBLY					No. Required :
Grid: <b>C-D/4</b>			<b>VSG/3</b>		<b>64</b>
Mark	Grade	Size	No	Length	Weight PC
vsg/3	ST37	D14	1	1207	1.31
Total Weight(Kg):					<b>1.3</b>



GENERAL NOTES

- 1- جهات شمال و جنوب درستونها، جهات جغرافیایی محل نصب میباشد.
- 2- جهت نصب حتما و فقط در قسمت بالای تیر علامت زده شود.

Legend:

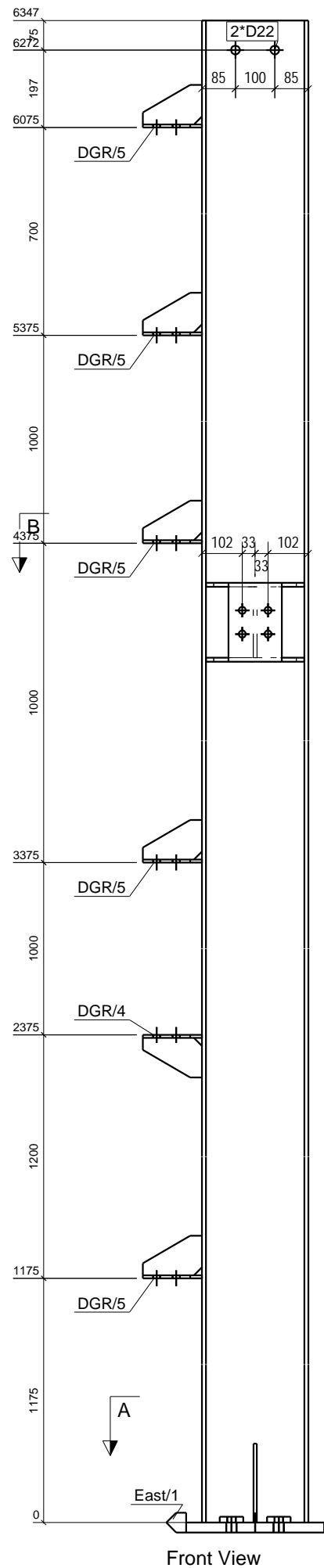
lci=Part 01-For Col-Intracacy	lii=Part 01-For IPE Beams-Intracacy
lbi=Beam And 01 Th Type At Part 01	ST=Stair
lci=Collumns And 01 Th Type At Part 01	LP=Loose Part
li=Part 01-IPE Beam	

General Corner Welding Dimensions For Beams&Collumns

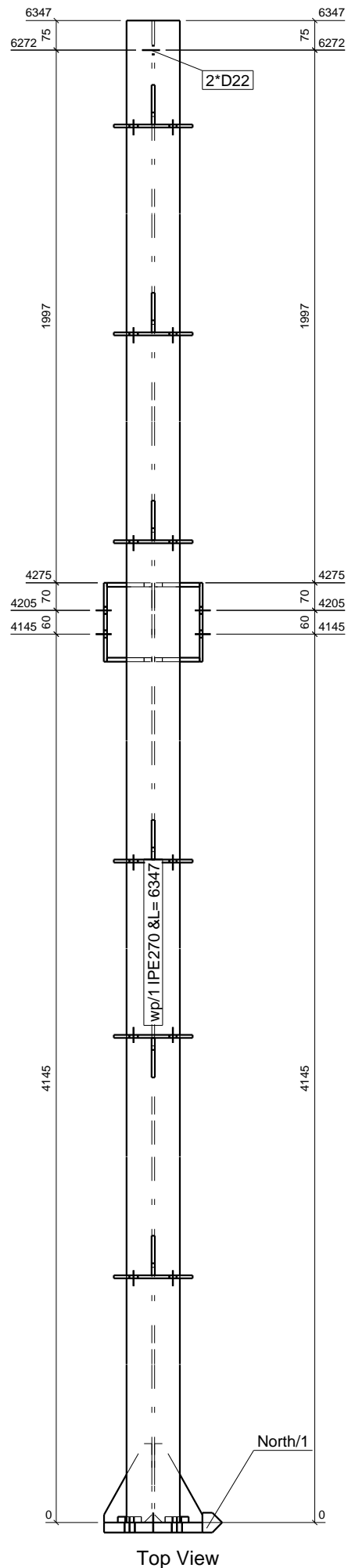
Section	C.W.D	Section	C.W.D	Section	C.W.D	Section	C.W.D	Section	C.W.D	General Notes:
										جوش باقی اتصالات با بعد
										هفت دهم ضخامت
										ورق نازکتر اجرا گردد.

0	01	1395-02-01	Rad.Engineer	Rad.Engineer	Rad.Engineer
REV.	Phase Number:	Created date:	Modeled By:	Checked By:	Project Manager:

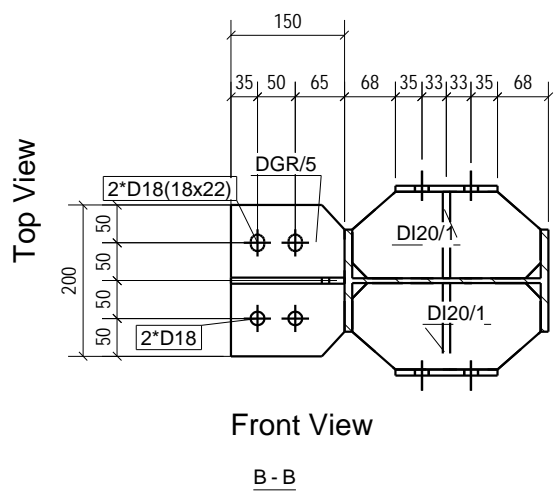
DESCRIPTION	PROJECT TITLE:	CONTRACTORE:	
SCALE:	سوله گل گهر سیرجان		
UNIT:	OWNER:		
mm			
FIELD:	CONSULTANT:		
Structure			
PHASE:	DRAWING TITLE:		
01	VSG/3		
Project No.:	PH. 01	R. 0	1/1



Front View

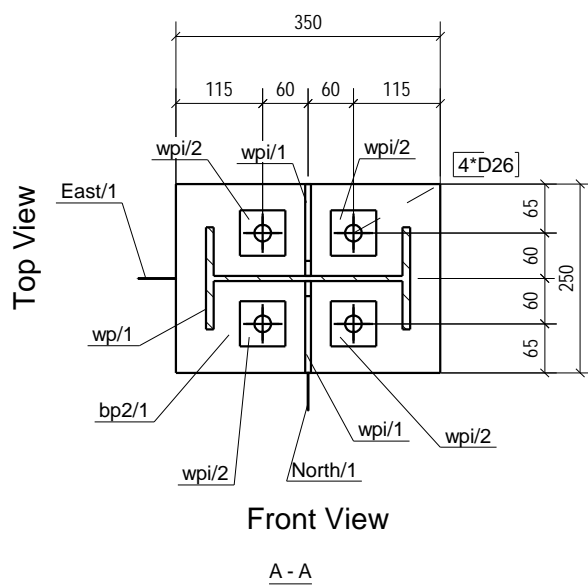


Top View



Front View

B - B



Front View

A - A

BILL OF MATERIAL

MATERIAL LIST FOR ONE ASSEMBLY No. Required :

Mark	Grade	Size	No	Length	Weight PC
Grid: J/3			WP/1		
			2		
East/1	ST37	PL1*50	1	50	0.01
North/1	ST37	PL1*50	1	50	0.01
bp2/1	ST37	PL25*350	1	250	17.17
wp/1	ST37	IPE270	1	6347	228.67
wpi/1	ST37	PL8*122	2	200	0.94
wpi/2	ST37	PL15*60	4	60	0.42
DGR/4		ASSEMBLY	1		2
DGR/5		ASSEMBLY	5		2
DI20/1		ASSEMBLY	2		7
Total Weight(Kg):					<b>278.9</b>



GENERAL NOTES

- 1- جهات شمال و جنوب درستونها، جهات جغرافیایی محل نصب میباشد.
- 2- جهت نصب حتما و فقط در قسمت بالای تیر علامت زده شود.

Legend:

lci=Part 01-For Col-Intricity	lii=Part 01-For IPE Beams-Intricity
lB1=Beam And 01Th Type At Part 01	ST=Stair
lbi=Part 01-For Beams-Intricity	LP=Loose Part
lC1=Collumns And 01 Th Type At Part 01	
li=Part 01-IPE Beam	

General Corner Welding Dimensions For Beams&Columns

Section	C.W.D/Section	C.W.D/Section	C.W.D/Section	C.W.D/Section	C.W.D/Section	C.W.D/Section	General Notes:
							جوش باقی اتصالات با بعد
							هفت دهم ضخامت
							ورق نازکتر اجرا گردد.

0	01	1395-02-01	Rad.Engineer	Rad.Engineer	Rad.Engineer
REV.	Phase Number:	Created date:	Modeled By:	Checked By:	Project Manager:
DESCRIPTION	PROJECT TITLE:		CONTRACTOR:		
SCALE:	سوله گل گهر سیرجان				
UNIT:	OWNER:				
FIELD:	CONSULTANT:				
PHASE:	DRAWING TITLE:		WP/1		
Project No.:		PH. 01	R. 0	1/1	