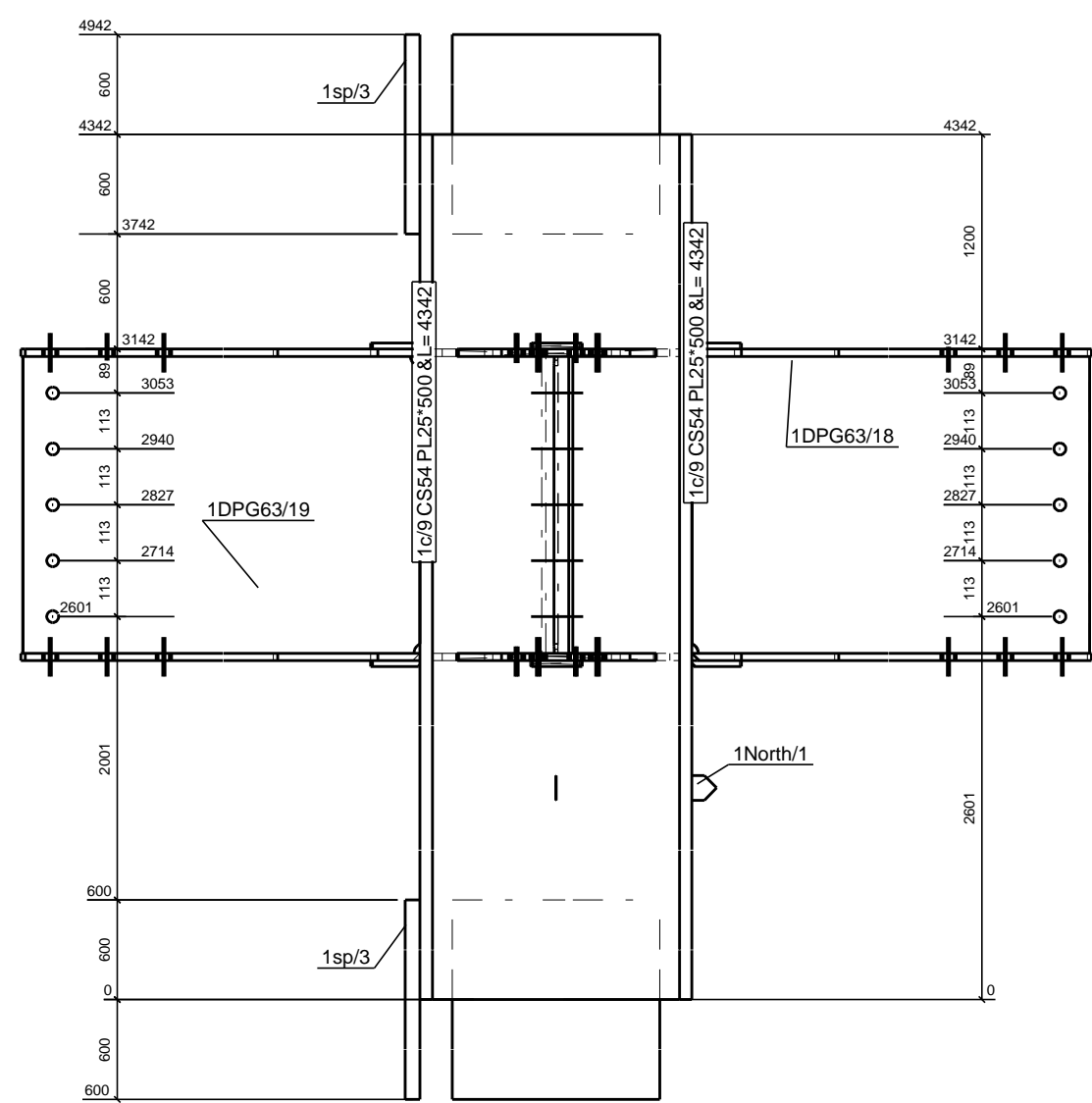
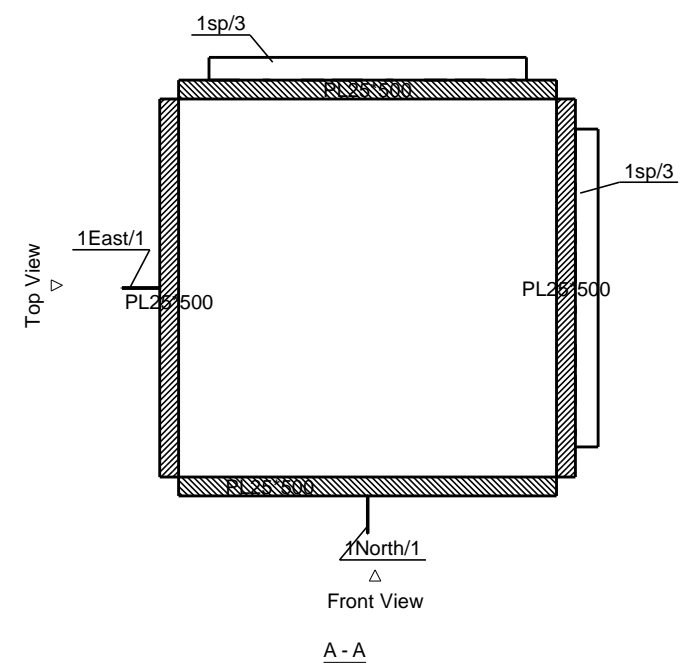


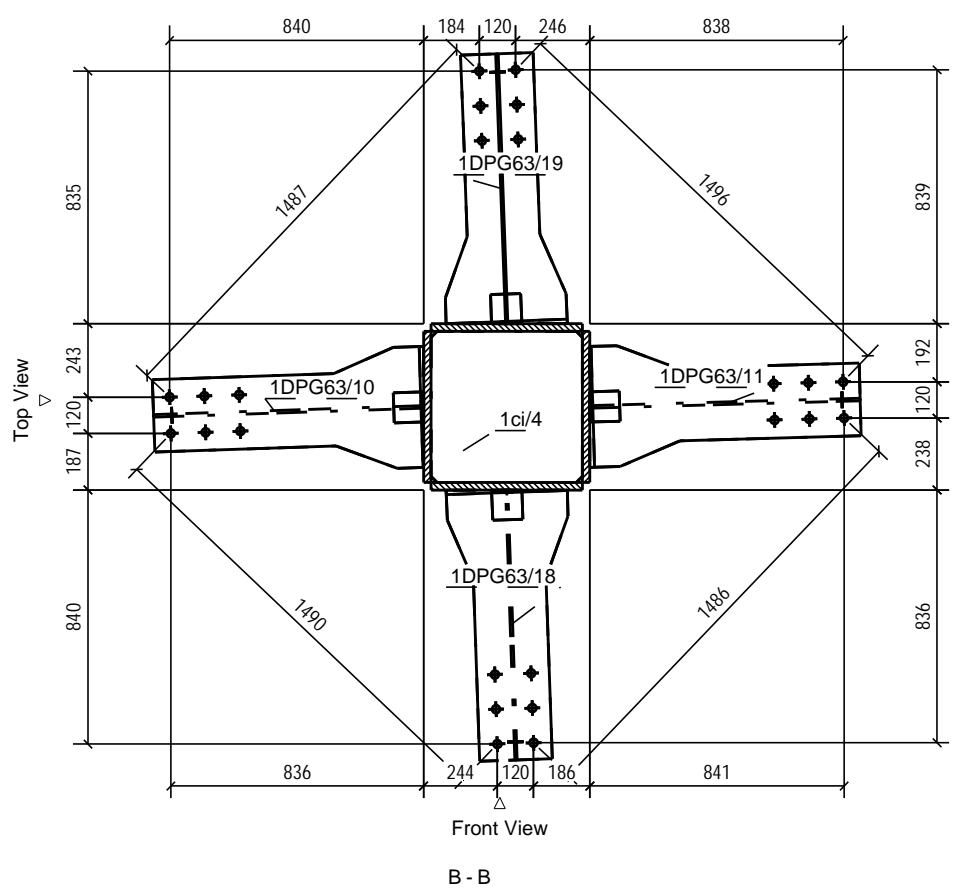
Front View



Top View



A - A

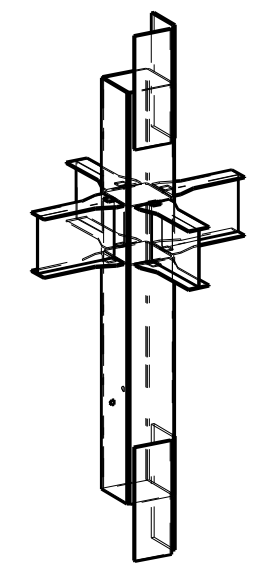


B - B

BILL OF MATERIAL

MATERIAL LIST FOR ONE ASSEMBLY No. Required :

Mark	Grade	Size	No	Length	Weight PC
1East/1	ST37	PL1*50	1	50	0.01
1North/1	ST37	PL1*50	1	50	0.01
1c/9	ST37	PL25*500	4	4342	426.06
1ci/4	ST37	PL15*500	2	500	29.34
1sp/3	ST37	PL30*420	4	1200	118.69
1DPG63/10	ASSEMBLY		1		93
1DPG63/11	ASSEMBLY		1		93
1DPG63/18	ASSEMBLY		1		93
1DPG63/19	ASSEMBLY		1		93
Total Weight(Kg):					2609.6



3D

GENERAL NOTES

- 1- جهات شمال و جنوب درستونها، جهات جغرافیایی محل نصب میباشد.
- 2- جهت نصب حتما و فقط در قسمت بالای تیر علامت زده شود.

Legend:

ici=Part 01-For Col-Intricity	lii=Part 01-For IPE Beams-Intricity
IB1=Beam And 01 Th Type At Part 01	ST=Stair
lbi=Part 01-For Beams-Intricity	LP=Loose Part
IC1=Collumns And 01 Th Type At Part 01	
li=Part 01-IPE Beam	

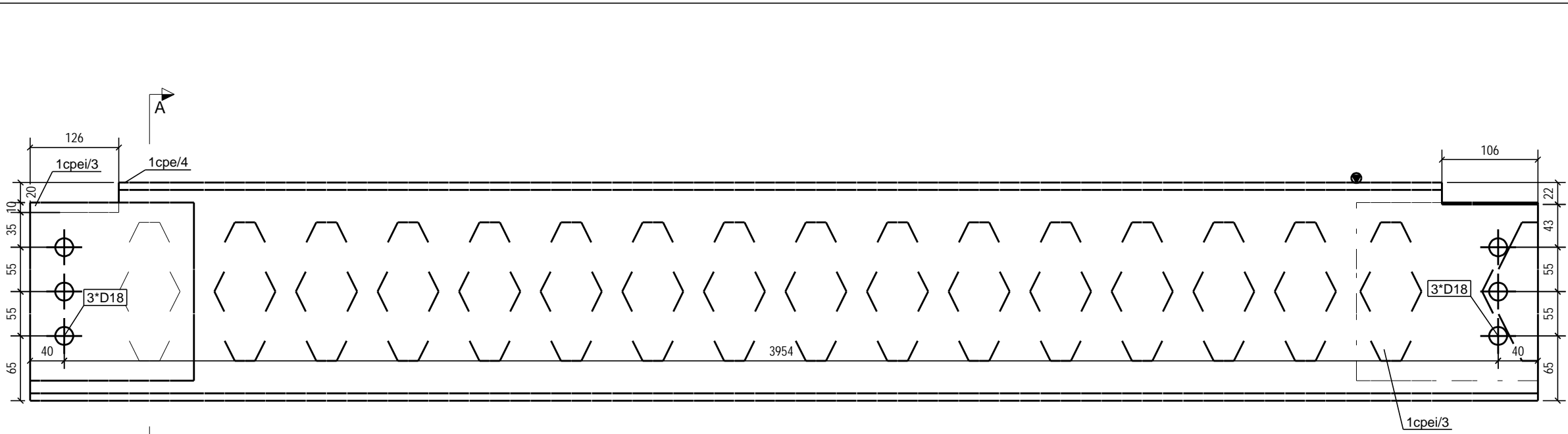
General Corner Welding Dimensions For Beams&Collumns

Section	C.W.D/Section	C.W.D/Section	C.W.D/Section	C.W.D/Section	C.W.D/Section	C.W.D/Section	General Notes:
							جوش باقی انصالات باید هفت دهم ضخامت ورق نازکتر اجرا گردد.

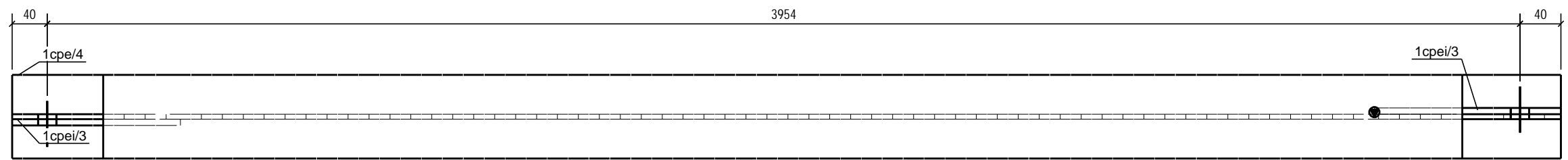
4	01	1395-05-06	Rad.Engineer	Rad.Engineer	Rad.Engineer
3	01	1395-04-10	Rad.Engineer	Rad.Engineer	Rad.Engineer
2	01	1395-04-08	Rad.Engineer	Rad.Engineer	Rad.Engineer
1	01	1395-04-02	Rad.Engineer	Rad.Engineer	Rad.Engineer
0	01	1395-03-05	Rad.Engineer	Rad.Engineer	Rad.Engineer

REV. Phase Number: Created date: Modeled By: Checked By: Project Manager:

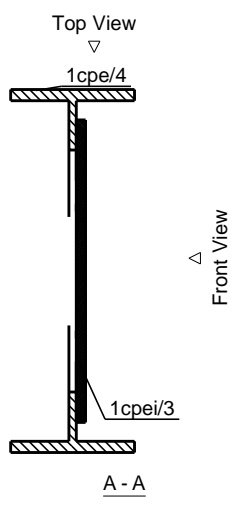
DESCRIPTION	PROJECT TITLE:	CONTRACTOR:
SCALE:	سوله گل گهر سیرجان	
N.T.S	OWNER:	
UNIT:	mm	
FIELD:	CONSULTANT:	
Structure		
PHASE:	DRAWING TITLE:	
01	1C2/2	
Project No.:	PH. 01	R. 4
		1/1



Front View



Top View



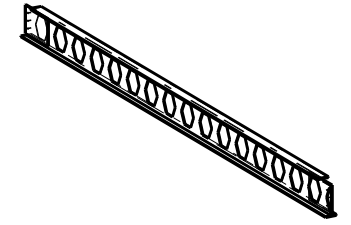
Front View

BILL OF MATERIAL

MATERIAL LIST FOR ONE ASSEMBLY No. Required :

Grid: **D-E/3-2** **1CPE160/4** **1**

Mark	Grade	Size	No	Length	Weight PC
1cpe/4	ST37	CPE160	1	4034	63.62
1cpei/3	ST37	PL6*200	2	300	2.83
Total Weight(Kg):					69.3



3D

GENERAL NOTES

- 1- جهات شمال و جنوب درستونها، جهات جغرافیایی محل نصب میباشد.
- 2- جهت نصب حتما و فقط در قسمت بالای تیر علامت زده شود.

Legend:

lci=Part 01-For Col-Intracacy	lii=Part 01-For IPE Beams-Intracacy
lB1=Beam And 01 Th Type At Part 01	ST=Stair
lbi=Part 01-For Beams-Intracacy	LP=Loose Part
lC1=Collumns And 01 Th Type At Part 01	
li=Part 01-IPE Beam	

General Corner Welding Dimensions For Beams&Collumns

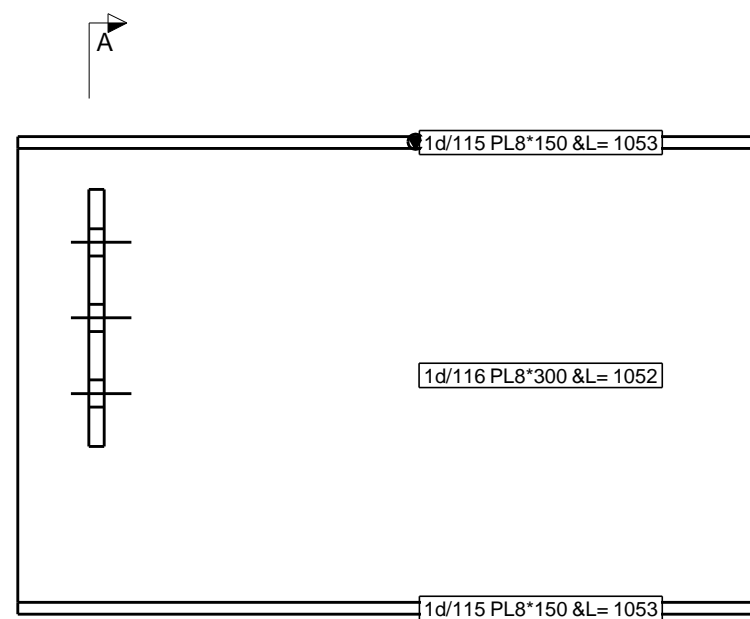
Section	C.W.D/Section	C.W.D/Section	C.W.D/Section	C.W.D/Section	C.W.D/Section	C.W.D/Section	General Notes:
							جوش باقی اتصالات با بدنه هفت دهم ضخامت ورق نازکتر اجرا گردد.

4	01	1395-05-06	Rad.Engineer	Rad.Engineer	Rad.Engineer
3	01	1395-04-10	Rad.Engineer	Rad.Engineer	Rad.Engineer
2	01	1395-04-08	Rad.Engineer	Rad.Engineer	Rad.Engineer
1	01	1395-04-02	Rad.Engineer	Rad.Engineer	Rad.Engineer
0	01	1395-03-05	Rad.Engineer	Rad.Engineer	Rad.Engineer

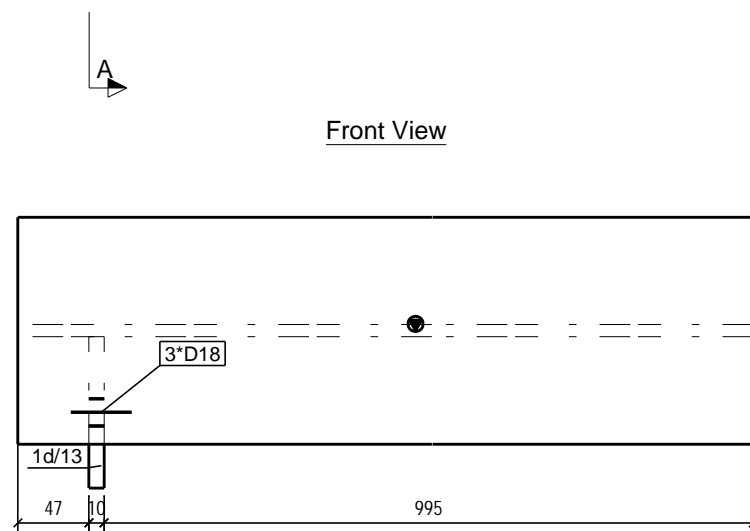
REV.	Phase Number:	Created date:	Modeled By:	Checked By:	Project Manager:
DESCRIPTION	PROJECT TITLE:	CONTRACTORE:			
SCALE:	N.T.S	سوله گل گهر سیرجان			
UNIT:	mm	OWNER:			
FIELD:	Structure	CONSULTANT:			
PHASE:	01	DRAWING TITLE:			
		1CPE160/4			
Project No.:		- PH. 01	R. 4	1/1	

BILL OF MATERIAL

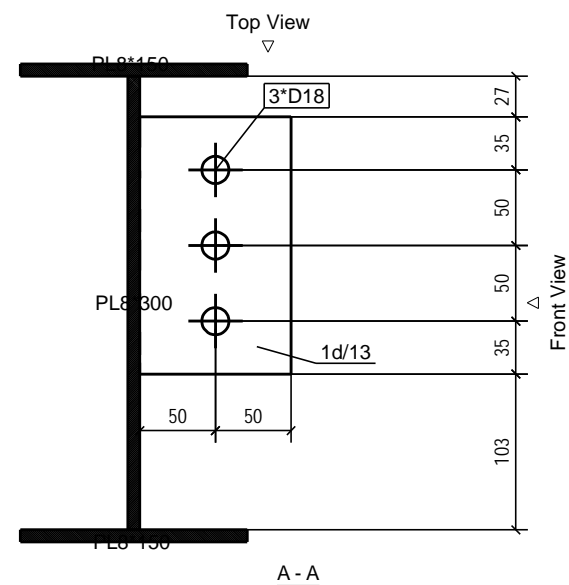
MATERIAL LIST FOR ONE ASSEMBLY				No. Required :	
Grid: G-H/5		1DJ5/2		3	
Mark	Grade	Size	No	Length	Weight PC
1d/13	ST37	PL10*100	1	170	1.33
1d/115	ST37	PL8*150	2	1053	9.91
1d/116	ST37	PL8*300	1	1052	19.82
Total Weight(Kg):					41.0



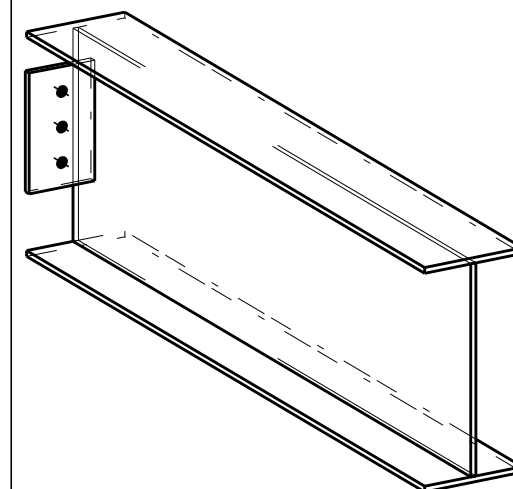
Front View



Top View



A - A



3D

GENERAL NOTES

- جهت شمال و جنوب درستونها، جهات جغرافیایی محل نصب میباشد.
- جهت نصب حتماً و فقط در قسمت بالای تیر علامت زده شود.

Legend:

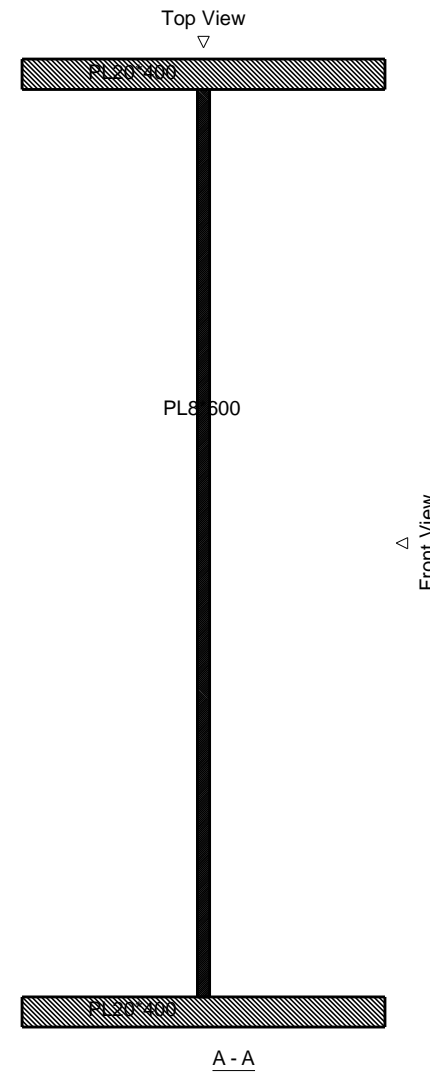
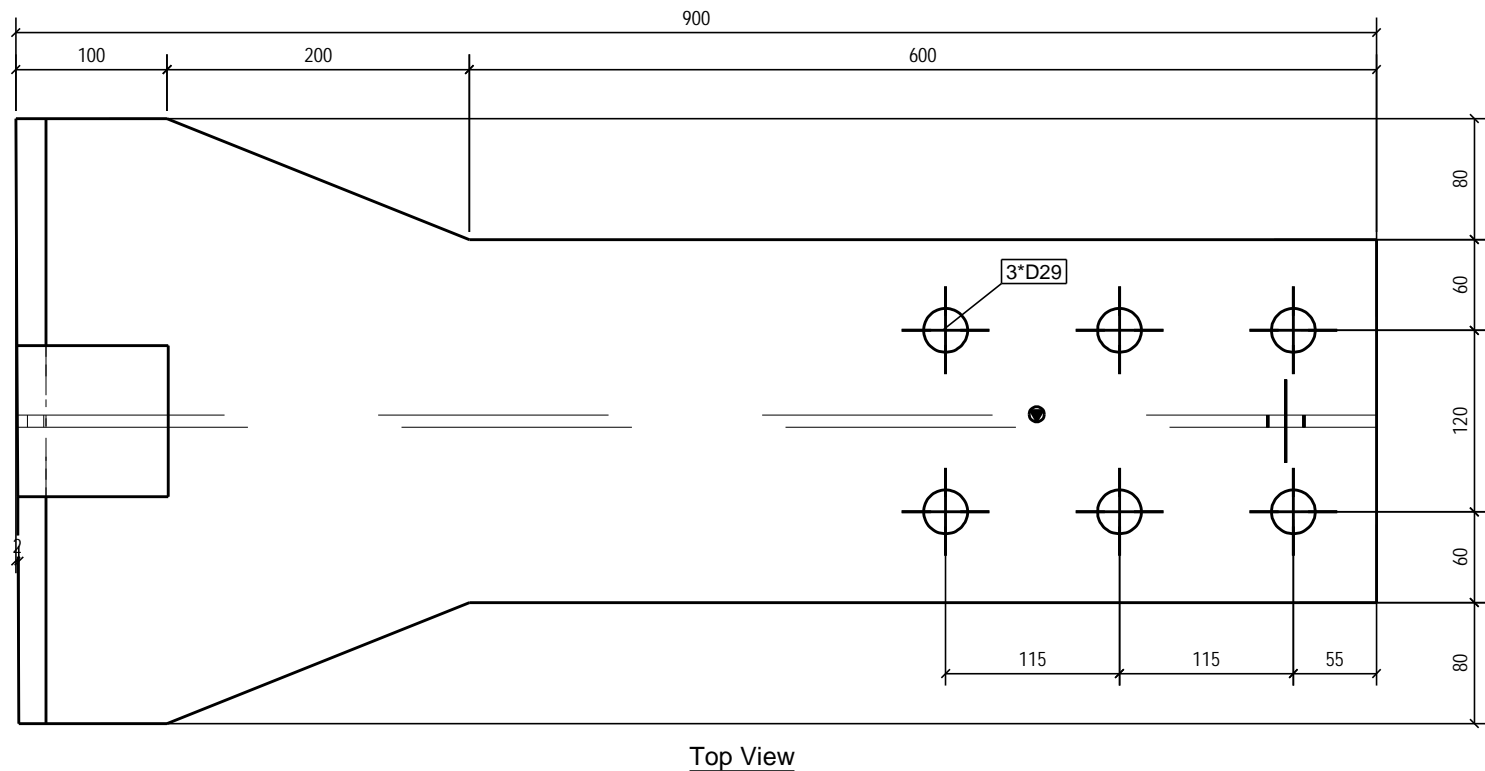
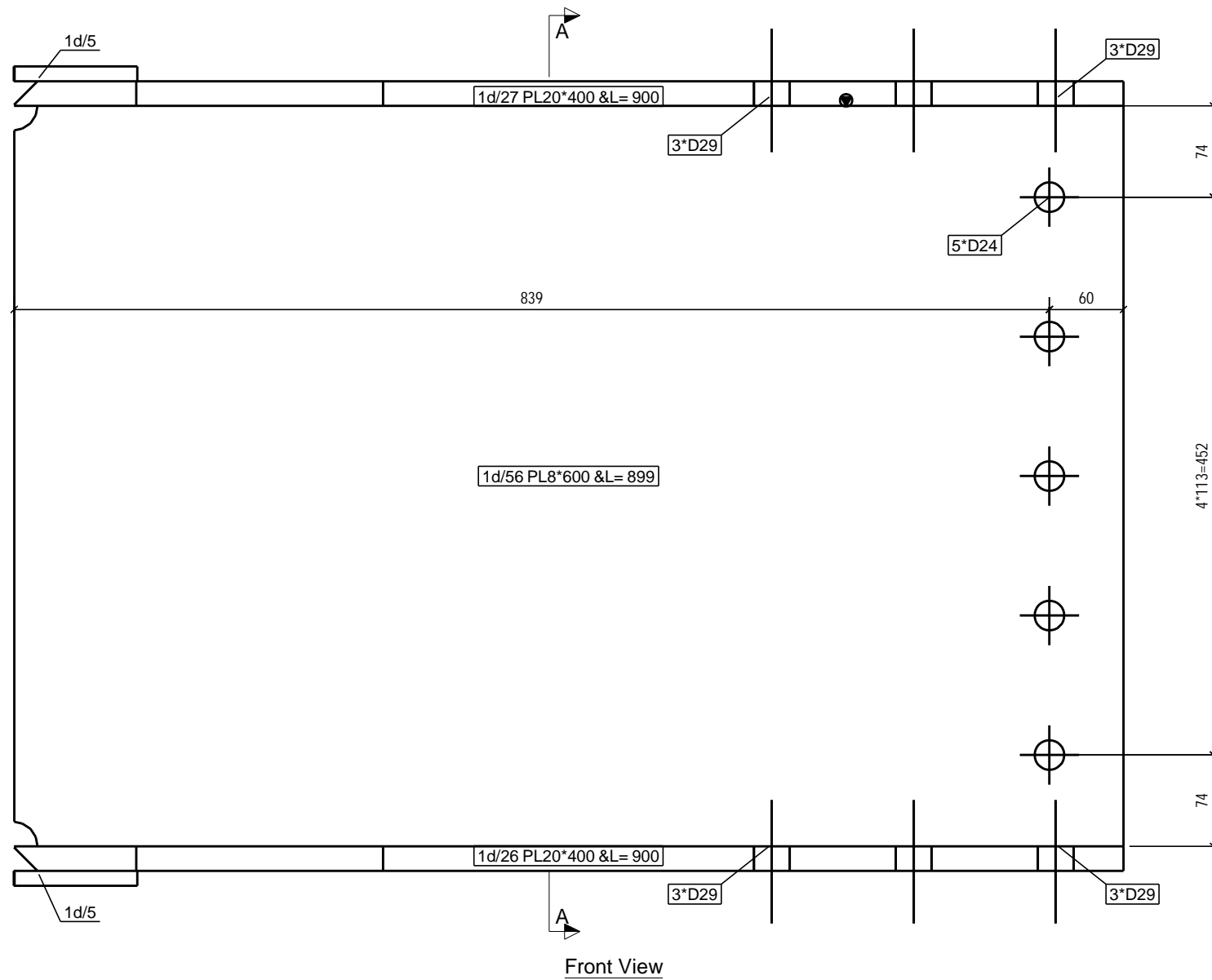
lci=Part 01-For Col-Intracacy	lii=Part 01-For IPE Beams-Intracacy
lB1=Beam And 01 Th Type At Part 01	ST=Stair
lbi=Part 01-For Beams-Intracacy	LP=Loose Part
lC1=Collumns And 01 Th Type At Part 01	
li=Part 01-IPE Beam	

General Corner Welding Dimensions For Beams&Collumns

Section	C.W.D	Section	C.W.D	Section	C.W.D	Section	C.W.D	Section	C.W.D	Section	C.W.D	General Notes:
												جوش باقی اتصالات با بعد
												هفت دهم ضخامت
												ورق نازکتر اجرا گردد.

0	01	1395-05-13	Rad.Engineer	Rad.Engineer	Rad.Engineer
REV.	Phase Number:	Created date:	Modeled By:	Checked By:	Project Manager:

DESCRIPTION	PROJECT TITLE:	CONTRACTORE:
SCALE:	سوله گل گهر سیرجان	
N.T.S		
UNIT:	OWNER:	
mm		
FIELD:	CONSULTANT:	
Structure		
PHASE:	DRAWING TITLE:	
01	1DJ5/2	
Project No.:	PH. 01	R. 0
		1/1

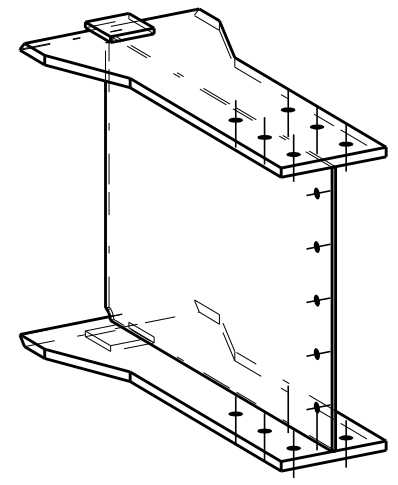


BILL OF MATERIAL

MATERIAL LIST FOR ONE ASSEMBLY No. Required : 1

Grid: **E/6-5** **1DPG62/4**

Mark	Grade	Size	No	Length	Weight PC
1d/5	ST37	PL12*100	2	100	0.94
1d/26	ST37	PL20*400	1	900	38.31
1d/27	ST37	PL20*400	1	900	38.31
1d/56	ST37	PL8*600	1	899	33.84
Total Weight(Kg):					112.3



3D

GENERAL NOTES

- 1- جهات شمال و جنوب درستونها، جهات جغرافیایی محل نصب میباشد.
- 2- جهت نصب حتما و فقط در قسمت بالای تیر علامت زده شود.

Legend:

ici=Part 01-For Col-Intracacy	lii=Part 01-For IPE Beams-Intracacy
IB1=Beam And 01 Th Type At Part 01	ST=Stair
lbi=Part 01-For Beams-Intracacy	LP=Loose Part
ICI=Collumns And 01 Th Type At Part 01	
li=Part 01-IPE Beam	

General Corner Welding Dimensions For Beams&Collumns

Section	C.W.D/Section	C.W.D/Section	C.W.D/Section	C.W.D/Section	C.W.D/Section	C.W.D/Section	General Notes:
							جوش باقی اتصالات با بعد هفت دهم ضخامت ورق نازکتر اجرا گردد.

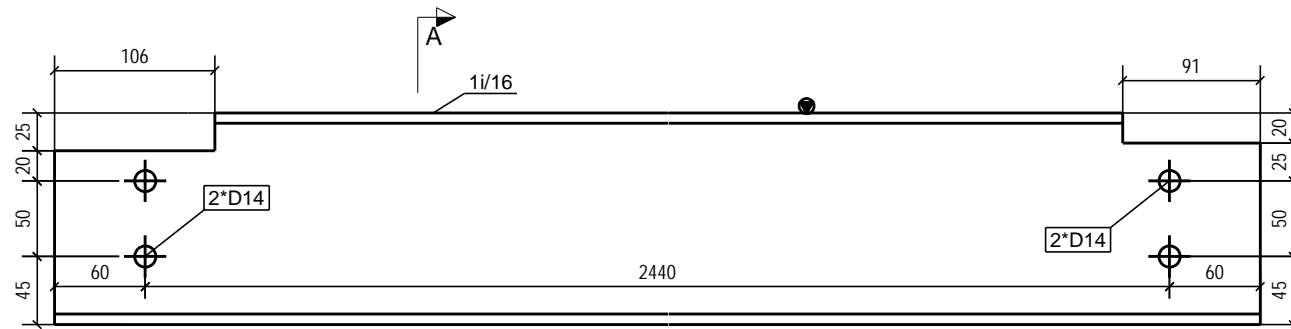
4	01	1395-05-06	Rad.Engineer	Rad.Engineer	Rad.Engineer
3	01	1395-04-10	Rad.Engineer	Rad.Engineer	Rad.Engineer
2	01	1395-04-08	Rad.Engineer	Rad.Engineer	Rad.Engineer
1	01	1395-04-02	Rad.Engineer	Rad.Engineer	Rad.Engineer
0	01	1395-03-05	Rad.Engineer	Rad.Engineer	Rad.Engineer

REV. Phase Number: Created date: Modeled By: Checked By: Project Manager:

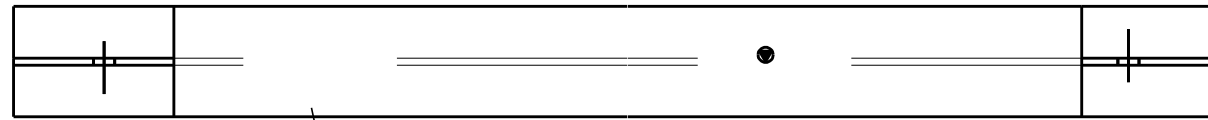
DESCRIPTION:	PROJECT TITLE:	CONTRACTORE:
SCALE:	سوله گل گهر سیرجان	
UNIT:	OWNER:	
FIELD:	CONSULTANT:	
PHASE:	DRAWING TITLE:	
01	1DPG62/4	
Project No.:	- PH. 01	R. 4
		1/1

BILL OF MATERIAL

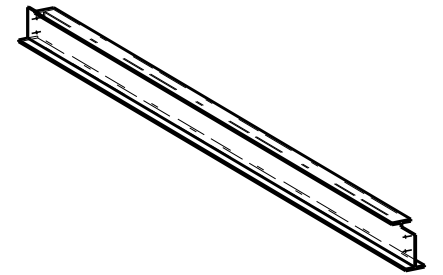
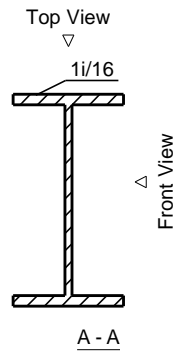
MATERIAL LIST FOR ONE ASSEMBLY					No. Required :
Grid: D-E/6-5			1114/2	1	
Mark	Grade	Size	No	Length	Weight PC
1i/16	ST37	IPE140	1	2560	32.95
Total Weight(Kg):					33.0



Front View



Top View



3D

GENERAL NOTES

- 1- جهات شمال و جنوب درستونها، جهات جغرافیایی محل نصب میباشد.
- 2- جهت نصب حتما و فقط در قسمت بالای تیر علامت زده شود.

Legend:

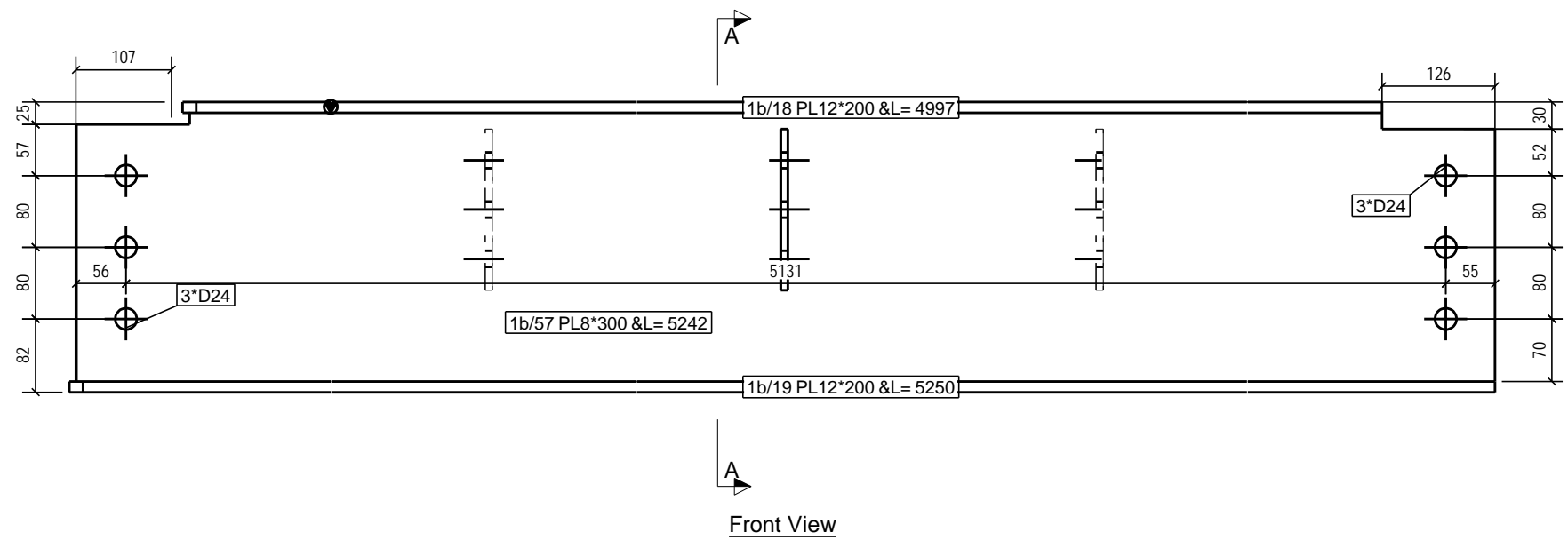
ici=Part 01-For Col-Intracacy	lii=Part 01-For IPE Beams-Intracacy
IBI=Beam And 01 Th Type At Part 01	ST=Stair
lbi=Part 01- For Beams-Intracacy	LP=Loose Part
ICI=Collumns And 01 Th Type At Part 01	
li=Part 01-IPE Beam	

General Corner Welding Dimensions For Beams&Collumns

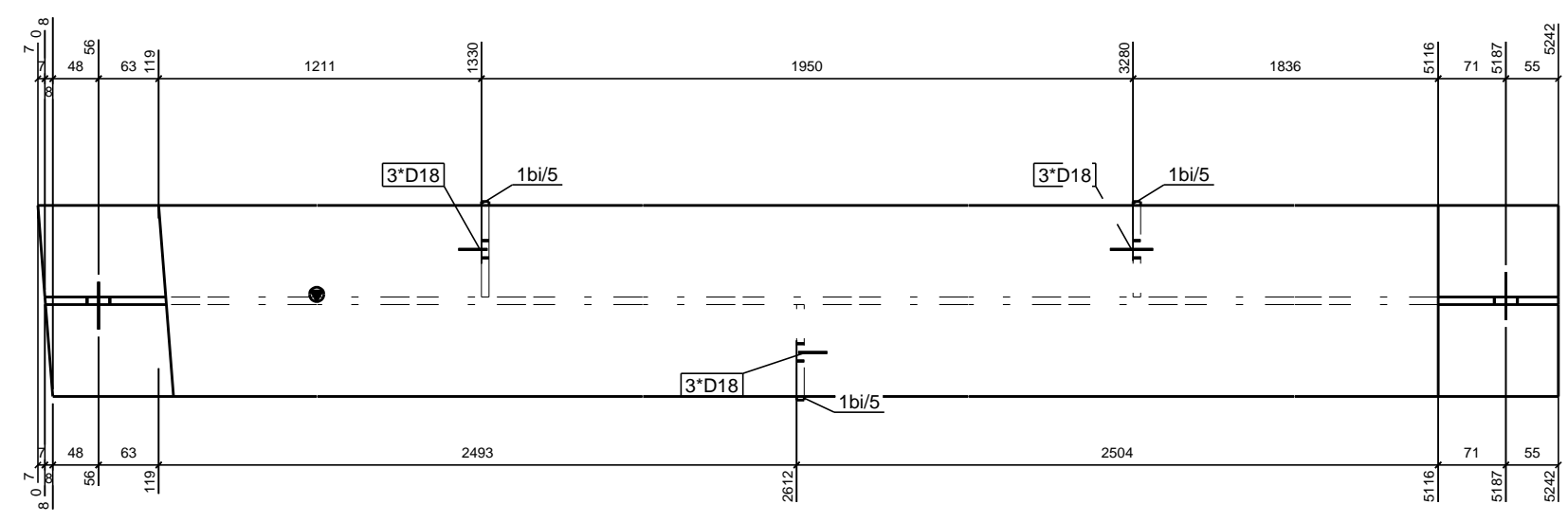
Section	C.W.D/Section	C.W.D/Section	C.W.D/Section	C.W.D/Section	C.W.D/Section	C.W.D/Section	C.W.D/Section	General Notes:
								جوش باقی اتصالات با بعد
								هفت دهم ضخامت
								ورق نازکتر اجرا گردد.

0	01	1395-05-13	Rad.Engineer	Rad.Engineer	Rad.Engineer
REV.	Phase Number:	Created date:	Modeled By:	Checked By:	Project Manager:

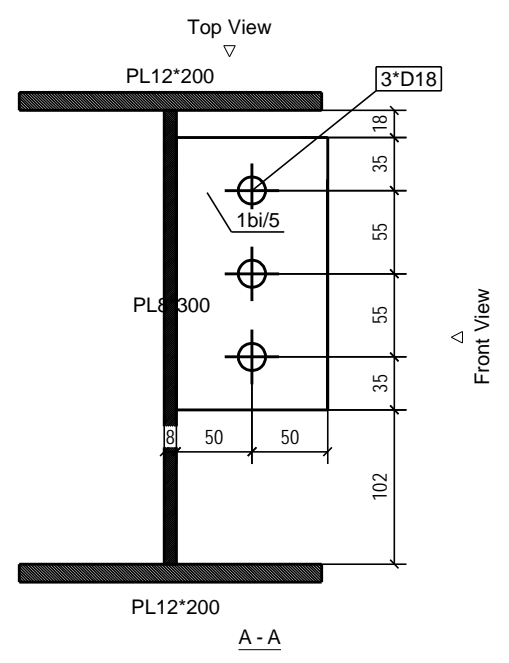
DESCRIPTION	PROJECT TITLE:	CONTRACTORE:	
SCALE:	سوله گل گهر سیرجان		
UNIT:	OWNER:		
mm			
FIELD:	CONSULTANT:		
Structure			
PHASE:	DRAWING TITLE:		
01	1114/2		
Project No.:	- PH. 01	R. 0	1/1



Front View



Top View



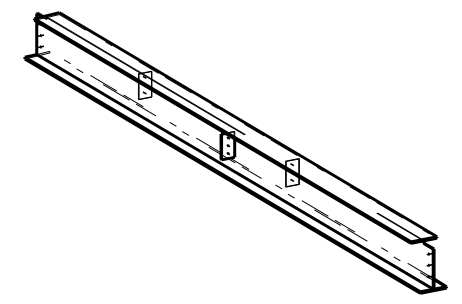
Front View

BILL OF MATERIAL

MATERIAL LIST FOR ONE ASSEMBLY No. Required :

Grid: **E-G/3-2** **1J3/8** **1**

Mark	Grade	Size	No	Length	Weight PC
1b/18	ST37	PL12*200	1	4997	94.00
1b/19	ST37	PL12*200	1	5250	98.76
1b/57	ST37	PL8*300	1	5242	98.51
1bi/5	ST37	PL8*100	3	180	1.13
Total Weight(Kg):					294.7



3D

GENERAL NOTES

- 1- جهات شمال و جنوب درستونها، جهات جغرافیایی محل نصب میباشد.
- 2- جهت نصب حتما و فقط در قسمت بالای تیر علامت زده شود.

Legend:

lci=Part 01-For Col-Intricity	lii=Part 01-For IPE Beams-Intricity
lB1=Beam And 01 Th Type At Part 01	ST=Stair
lbi=Part 01-For Beams-Intricity	LP=Loose Part
lC1=Collumns And 01 Th Type At Part 01	
li=Part 01-IPE Beam	

General Corner Welding Dimensions For Beams&Collumns

Section	C.W.D/Section	C.W.D/Section	C.W.D/Section	C.W.D/Section	C.W.D/Section	C.W.D/Section	General Notes:
							جوش باقی اتصالات با بعد هفت دهم ضخامت ورق نازکتر اجرا گردد.

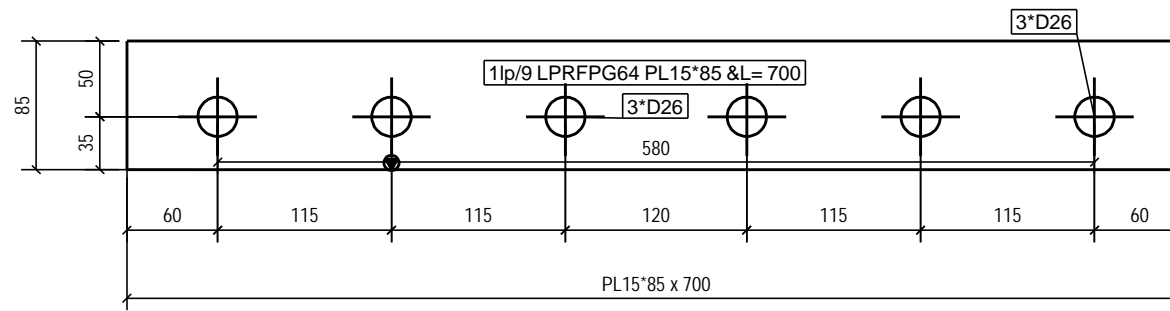
4	01	1395-05-06	Rad.Engineer	Rad.Engineer	Rad.Engineer
3	01	1395-04-10	Rad.Engineer	Rad.Engineer	Rad.Engineer
2	01	1395-04-08	Rad.Engineer	Rad.Engineer	Rad.Engineer
1	01	1395-04-02	Rad.Engineer	Rad.Engineer	Rad.Engineer
0	01	1395-03-05	Rad.Engineer	Rad.Engineer	Rad.Engineer

REV. Phase Number: Created date: Modeled By: Checked By: Project Manager:

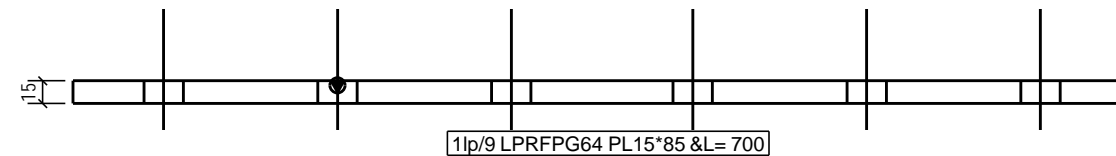
DESCRIPTION	PROJECT TITLE:	CONTRACTOR:
SCALE:	سوله گل گهر سیرجان	
N.T.S	OWNER:	
UNIT:	mm	
FIELD:	Structure	CONSULTANT:
PHASE:	01	DRAWING TITLE:
		1J3/8
Project No.:	PH. 01	R. 4
		1/1

BILL OF MATERIAL

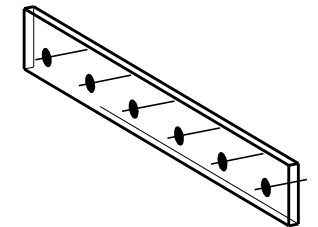
MATERIAL LIST FOR ONE ASSEMBLY					No. Required :
Grid: A-B/2		1LP/14		112	
Mark	Grade	Size	No	Length	Weight PC
1lp/9	ST37	PL15*85	1	700	7.01
Total Weight(Kg):					7.0



Front View



Top View



3D

GENERAL NOTES

- 1- جهات شمال و جنوب درستونها، جهات جغرافیایی محل نصب میباشد.
- 2- جهت نصب حتما و فقط در قسمت بالای تیر علامت زده شود.

Legend:

lci=Part 01-For Col-Intracacy	lii=Part 01-For IPE Beams-Intracacy
lbi=Part 01-For Beams-Intracacy	ST=Stair
lci=Columns And 01 Th Type At Part 01	LP=Loose Part
li=Part 01-IPE Beam	

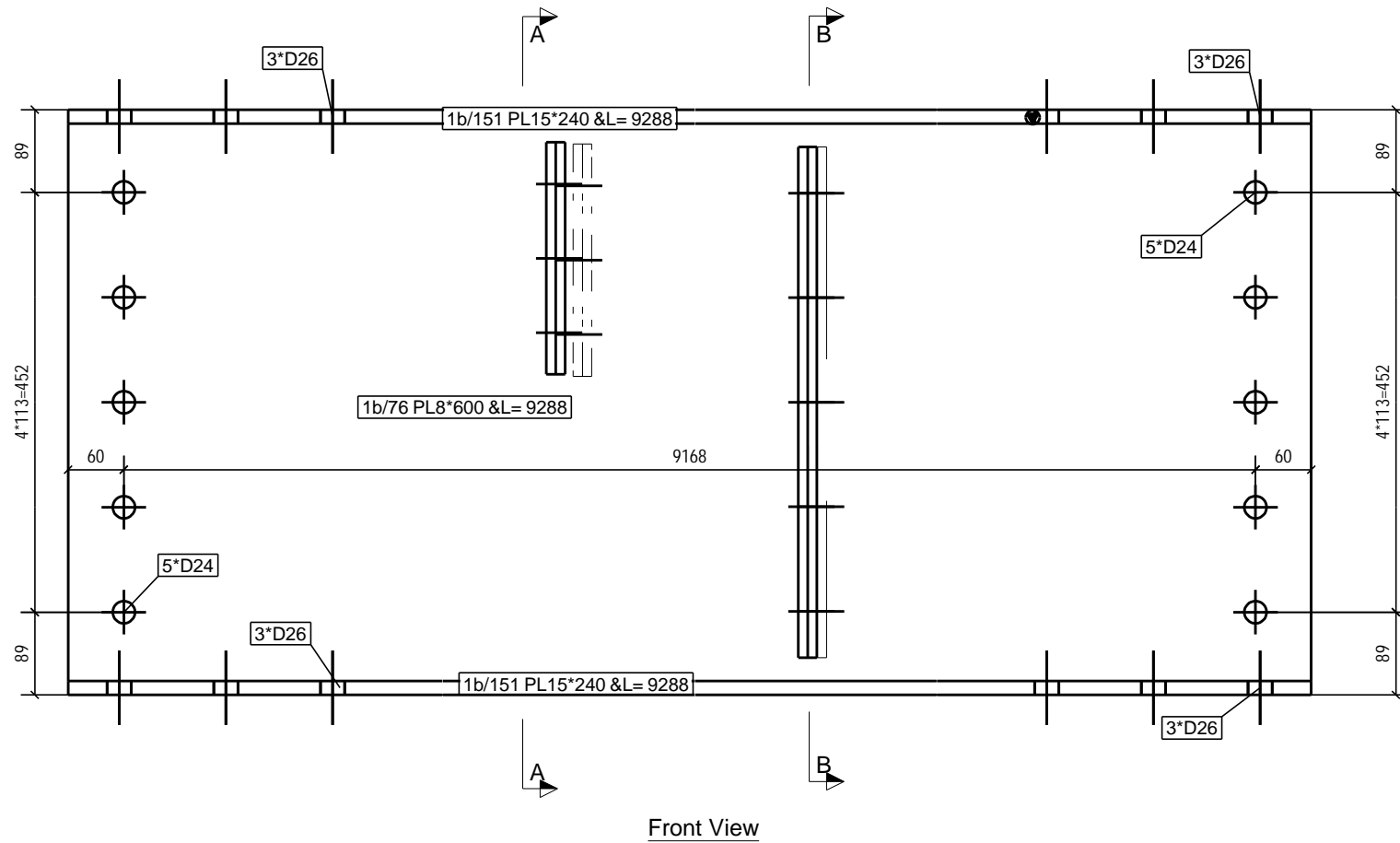
General Corner Welding Dimensions For Beams&Collumns

Section	C.W.D	Section	C.W.D	Section	C.W.D	Section	C.W.D	Section	C.W.D	Section	C.W.D	General Notes:
												جوش باقی اتصالات با بعد هفت دهم ضخامت ورق نازکتر اجرا گردد.

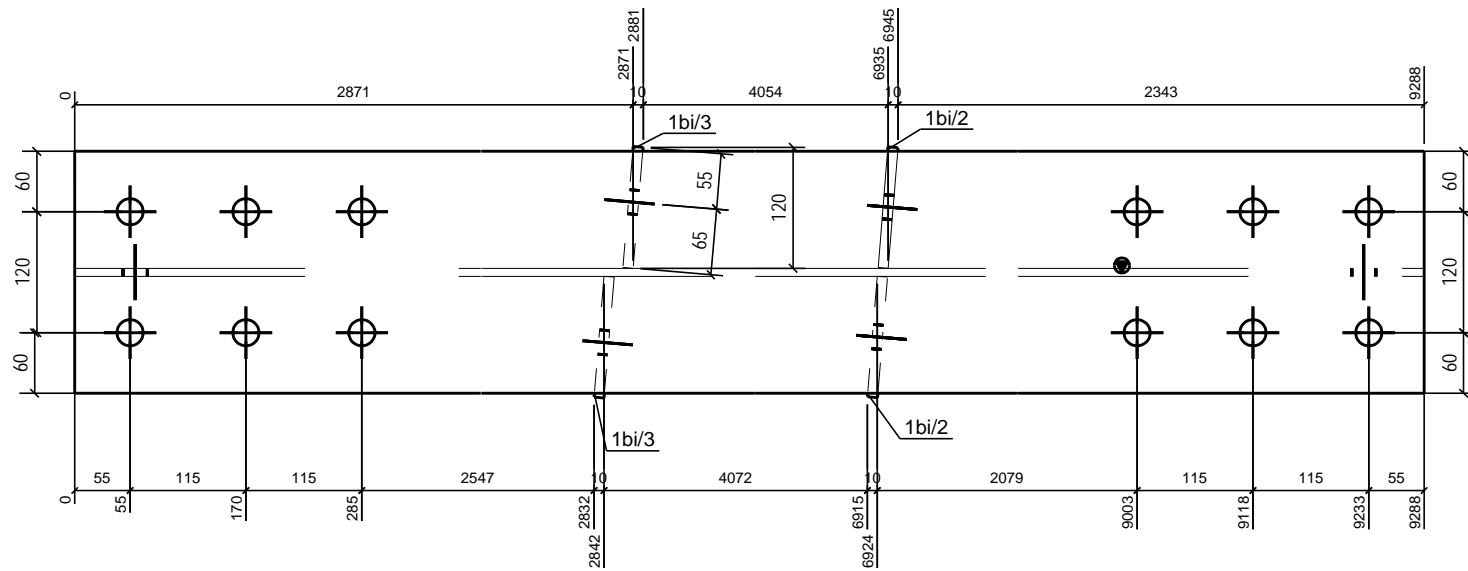
4	01	1395-05-06	Rad.Engineer	Rad.Engineer	Rad.Engineer
3	01	1395-04-10	Rad.Engineer	Rad.Engineer	Rad.Engineer
2	01	1395-04-08	Rad.Engineer	Rad.Engineer	Rad.Engineer
1	01	1395-04-02	Rad.Engineer	Rad.Engineer	Rad.Engineer
0	01	1395-03-05	Rad.Engineer	Rad.Engineer	Rad.Engineer

REV. Phase Number: Created date: Modeled By: Checked By: Project Manager:

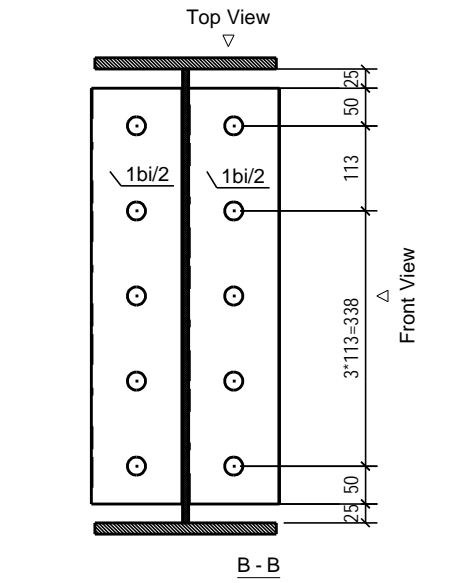
DESCRIPTION	PROJECT TITLE:	CONTRACTORE:
SCALE:	سوله گل گهر سیرجان	
UNIT:	OWNER:	
FIELD:	CONSULTANT:	
PHASE:	DRAWING TITLE:	
01	1LP/14	
Project No.:	PH. 01	R. 4
		1/1



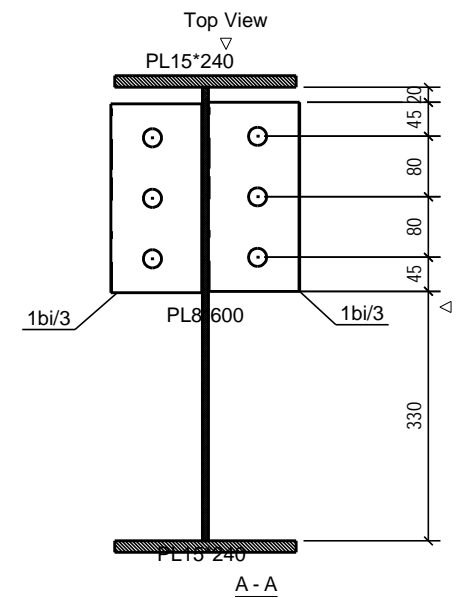
Front View



Top View



B - B



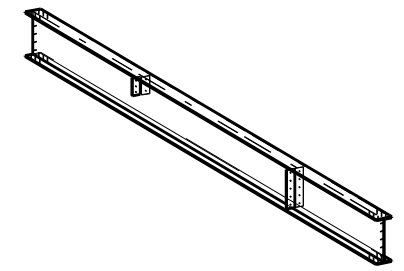
A - A

BILL OF MATERIAL

MATERIAL LIST FOR ONE ASSEMBLY No. Required :

Grid: **F-G/3-1** **1PG63/11** **1**

Mark	Grade	Size	No	Length	Weight PC
1b/76	ST37	PL8*600	1	9288	349.97
1b/151	ST37	PL15*240	2	9288	262.48
1bi/2	ST37	PL10*120	2	550	5.18
1bi/3	ST37	PL10*120	2	250	2.36
Total Weight(Kg):					890.0



3D

GENERAL NOTES

- 1- جهات شمال و جنوب درستونها، جهات جغرافیایی محل نصب میباشد.
- 2- جهت نصب حتماً فقط در قسمت بالای تیر علامت زده شود.

Legend:

lci=Part 01-For Col-Intricity	lii=Part 01-For IPE Beams-Intricity
lB1=Beam And 01 Th Type At Part 01	ST=Stair
lbi=Part 01-For Beams-Intricity	LP=Loose Part
lC1=Collumns And 01 Th Type At Part 01	
li=Part 01-IPE Beam	

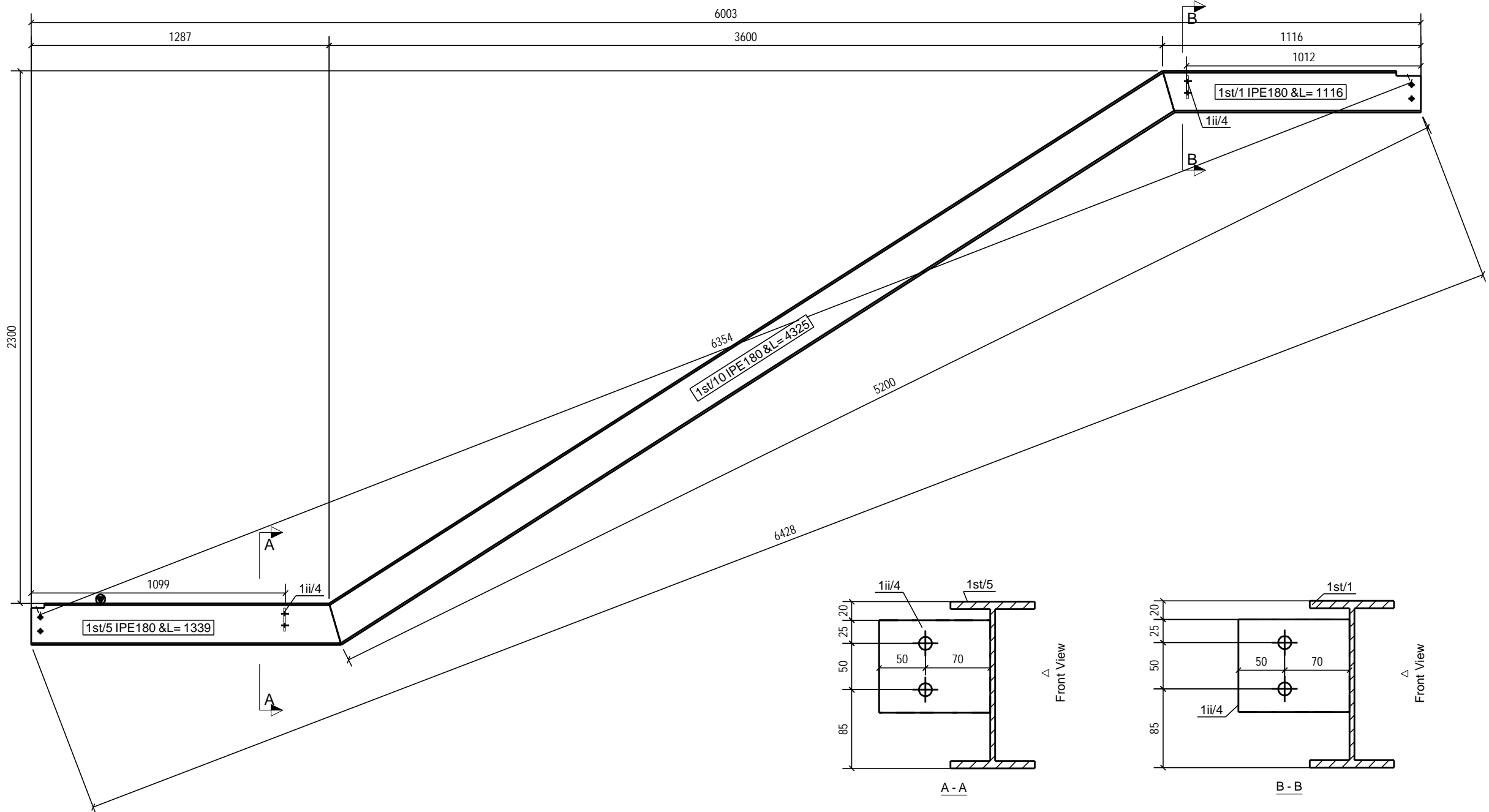
General Corner Welding Dimensions For Beams&Collumns

Section	C.W.D	Section	C.W.D	Section	C.W.D	Section	C.W.D	Section	C.W.D	Section	C.W.D	General Notes:
												جوش باقی اتصالات با بعد هفت دهم ضخامت ورق نازکتر اجرا گردد.

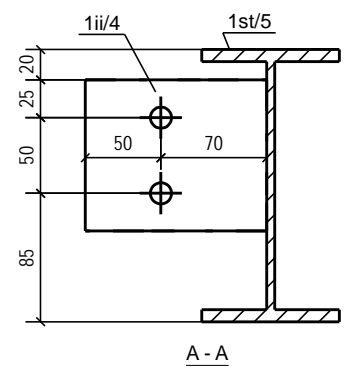
4	01	1395-05-06	Rad.Engineer	Rad.Engineer	Rad.Engineer
3	01	1395-04-10	Rad.Engineer	Rad.Engineer	Rad.Engineer
2	01	1395-04-08	Rad.Engineer	Rad.Engineer	Rad.Engineer
1	01	1395-04-02	Rad.Engineer	Rad.Engineer	Rad.Engineer
0	01	1395-03-05	Rad.Engineer	Rad.Engineer	Rad.Engineer

REV. Phase Number: Created date: Modeled By: Checked By: Project Manager:

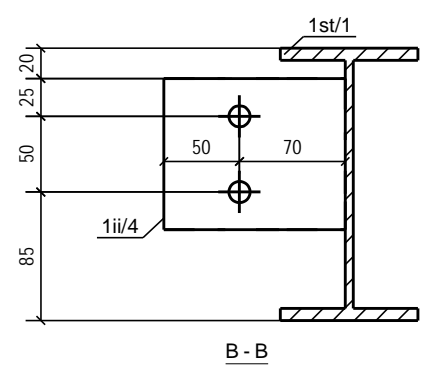
DESCRIPTION	PROJECT TITLE:	CONTRACTOR:
SCALE:	سوله گل گهر سیرجان	
N.T.S	OWNER:	
UNIT:	mm	
FIELD:	Structure	CONSULTANT:
PHASE:	01	DRAWING TITLE:
		1PG63/11
Project No.:	PH. 01	R. 4
		1/1



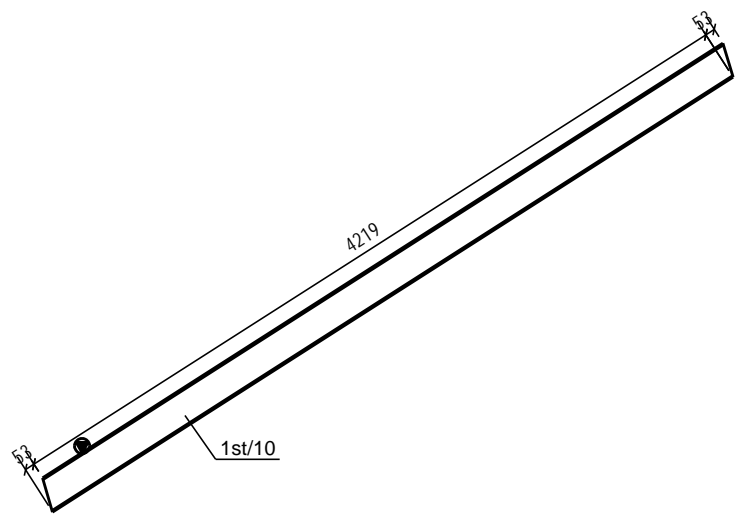
Front View



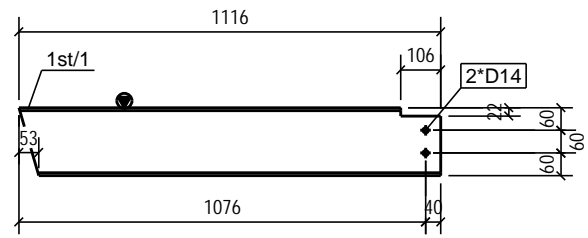
A - A



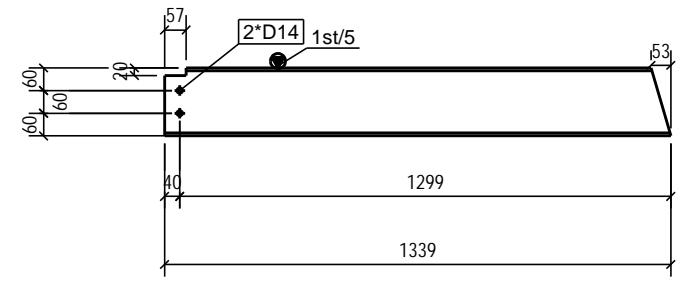
B - B



Front View



Front View



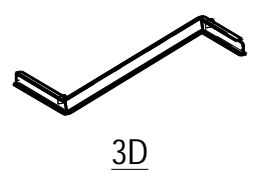
Front View

BILL OF MATERIAL

MATERIAL LIST FOR ONE ASSEMBLY No. Required : 4

Grid: **G-H/4** **1ST/3**

Mark	Grade	Size	No	Length	Weight PC
1ii/4	ST37	PL8*100	2	120	0.75
1st/1	ST37	IPE180	1	1116	20.94
1st/5	ST37	IPE180	1	1339	25.13
1st/10	ST37	IPE180	1	4325	81.14
Total Weight(Kg):					128.7



GENERAL NOTES

- 1- جهات شمال و جنوب درستونها، جهات جغرافیایی محل نصب میباشد.
- 2- جهت نصب حتما و فقط در قسمت بالای تیر علامت زده شود.

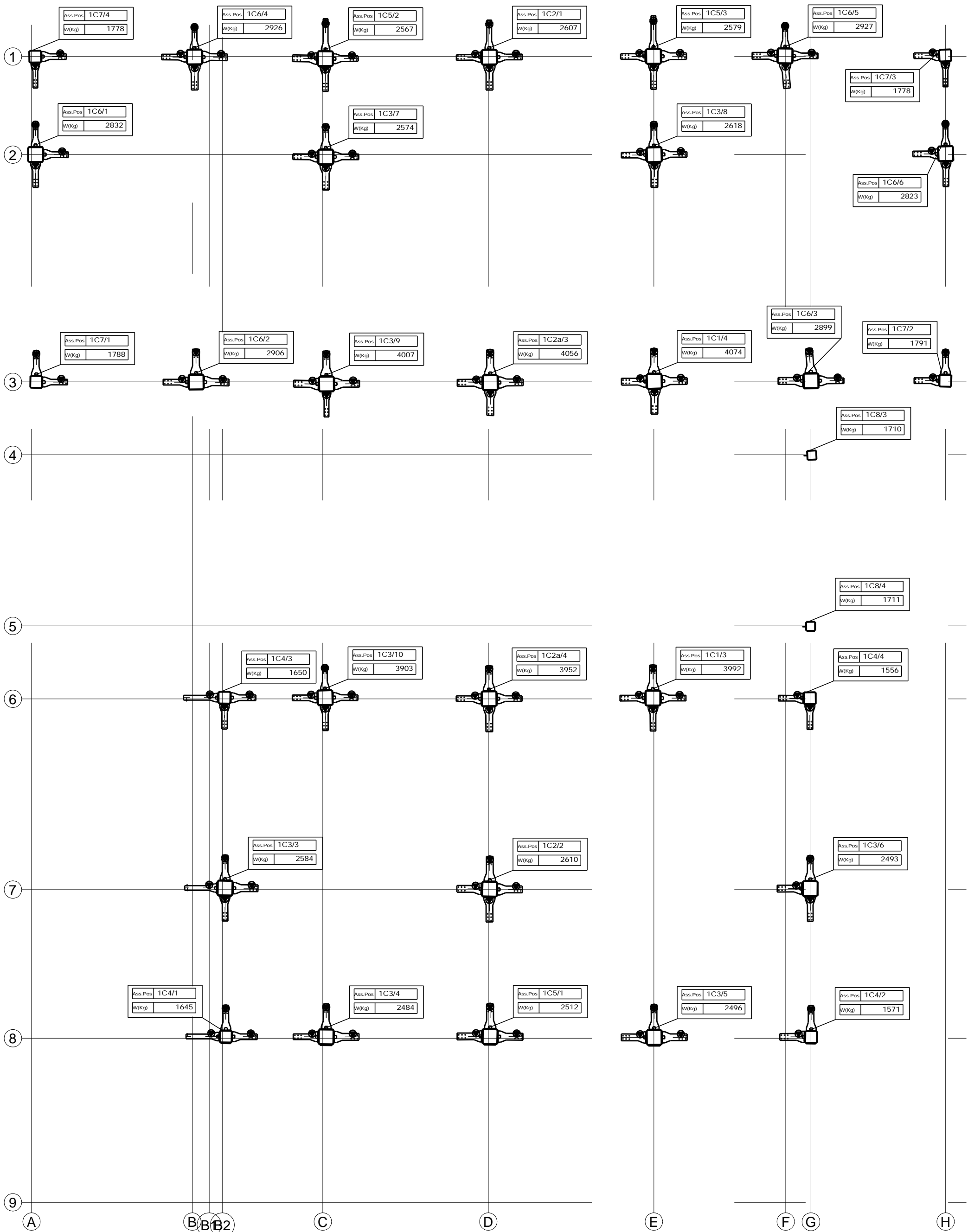
Legend:

lci=Part 01-For Col-Intricity	lii=Part 01-For IPE Beams-Intricity
lB1=Beam And 01 Th Type At Part 01	ST=Stair
lbi=Part 01- For Beams-Intricity	LP=Loose Part
lC1=Collumns And 01 Th Type At Part 01	
li=Part 01-IPE Beam	

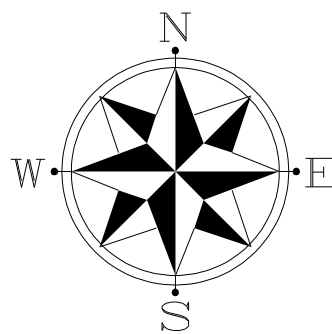
General Corner Welding Dimensions For Beams&Collumns

Section	C.W.D/Section	C.W.D/Section	C.W.D/Section	C.W.D/Section	C.W.D/Section	C.W.D/Section	General Notes:
							جوش باقی اتصالات با بعد
							هفت دهم ضخامت
							ورق نازکتر اجرا گردد.

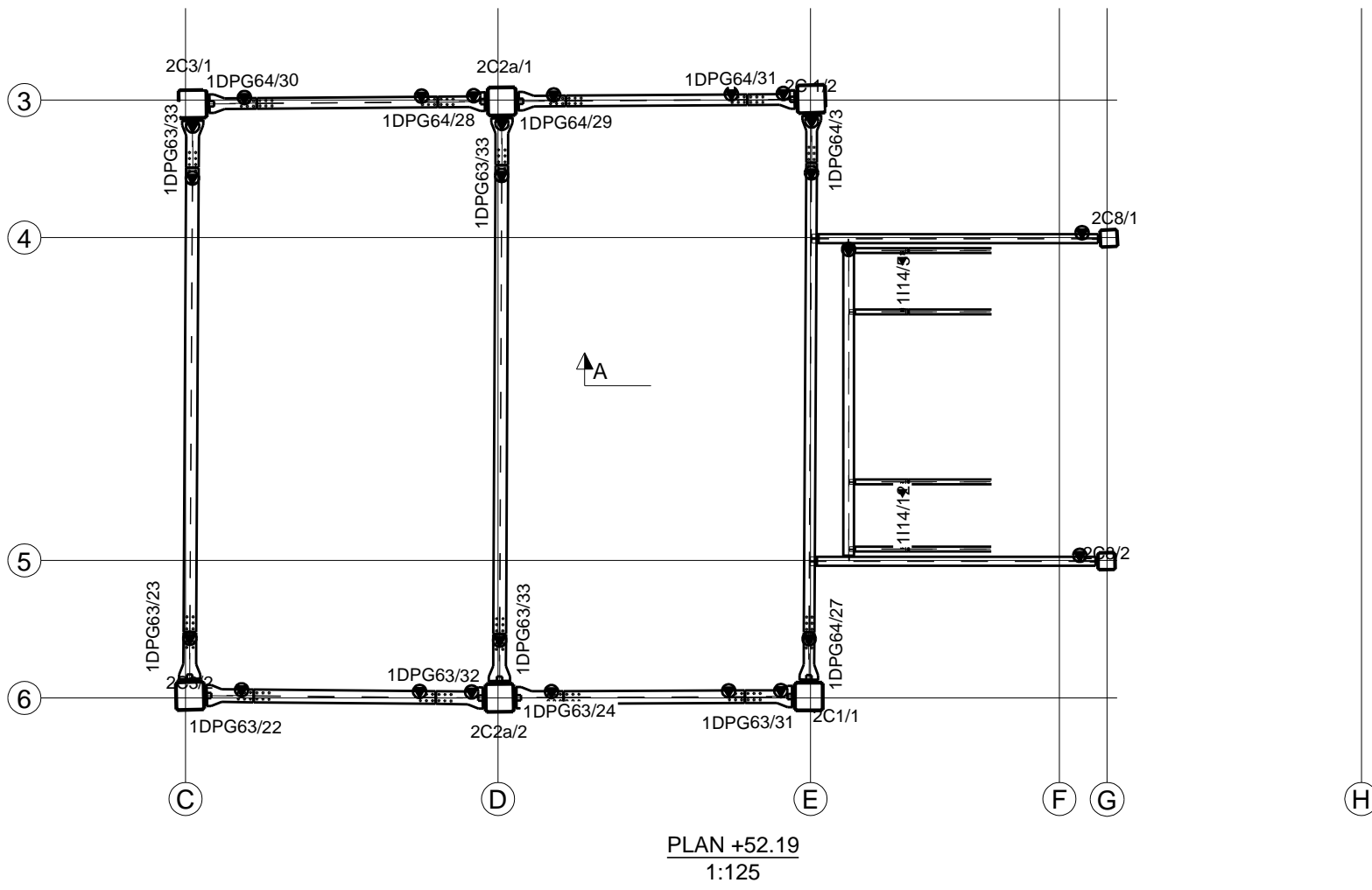
0	01	1395-05-13	Rad.Engineer	Rad.Engineer	Rad.Engineer
REV.	Phase Number:	Created date:	Modeled By:	Checked By:	Project Manager:
DESCRIPTION	PROJECT TITLE:	CONTRACTORE:			
SCALE:	سوله گل گهر سیرجان				
N.T.S	OWNER:				
UNIT:	mm				
FIELD:	Structure				
CONTRACTANT:					
PHASE:	DRAWING TITLE:				
01	1ST/3				
Project No.:	PH. 01	R. 0	1/1		



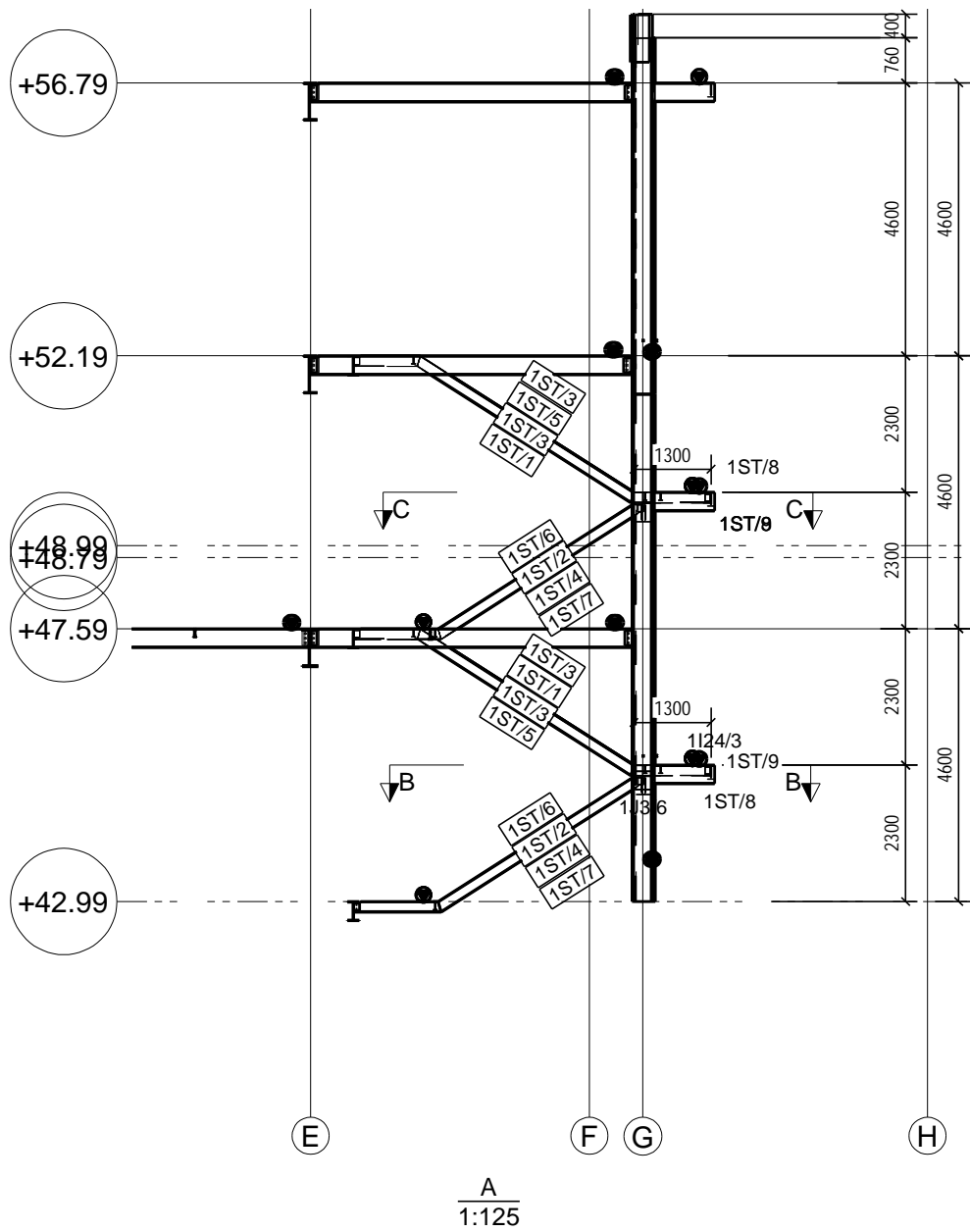
Collumns'S Key Plan For El +47.59
1:125



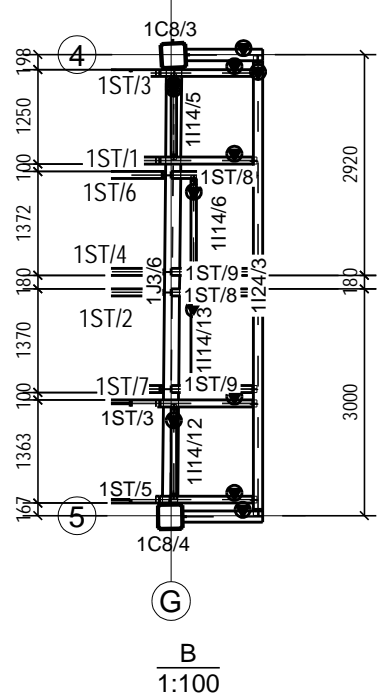
0	01	1395-05-13	Rad.Engineer	Rad.Engineer	Rad.Engineer
REV.	Phase Number:	Created date:	Modeled By:	Checked By:	Project Manager:
DESCRIPTION	PROJECT TITLE:		CONTRACTOR:		
SCALE:	سوله گل گهر سیرجان				
UNIT:	OWNER:				
FIELD:	CONSULTANT:				
PHASE:	DRAWING TITLE:				
01	Collumns'S Key Plan For El +47.59				
Project No.:		- PH. 01	R. 0	1/1	



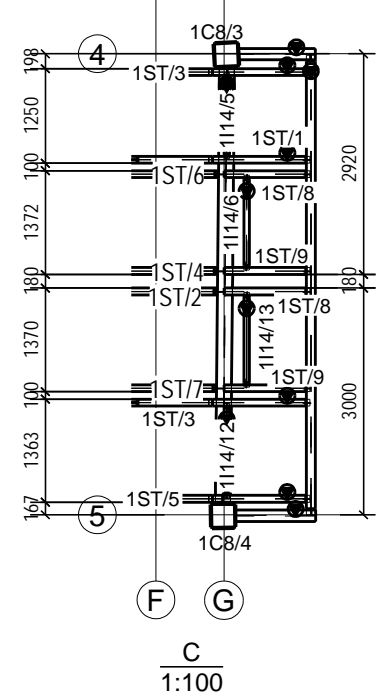
PLAN +52.19
1:125



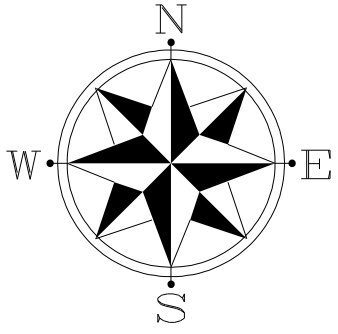
A
1:125



B
1:100

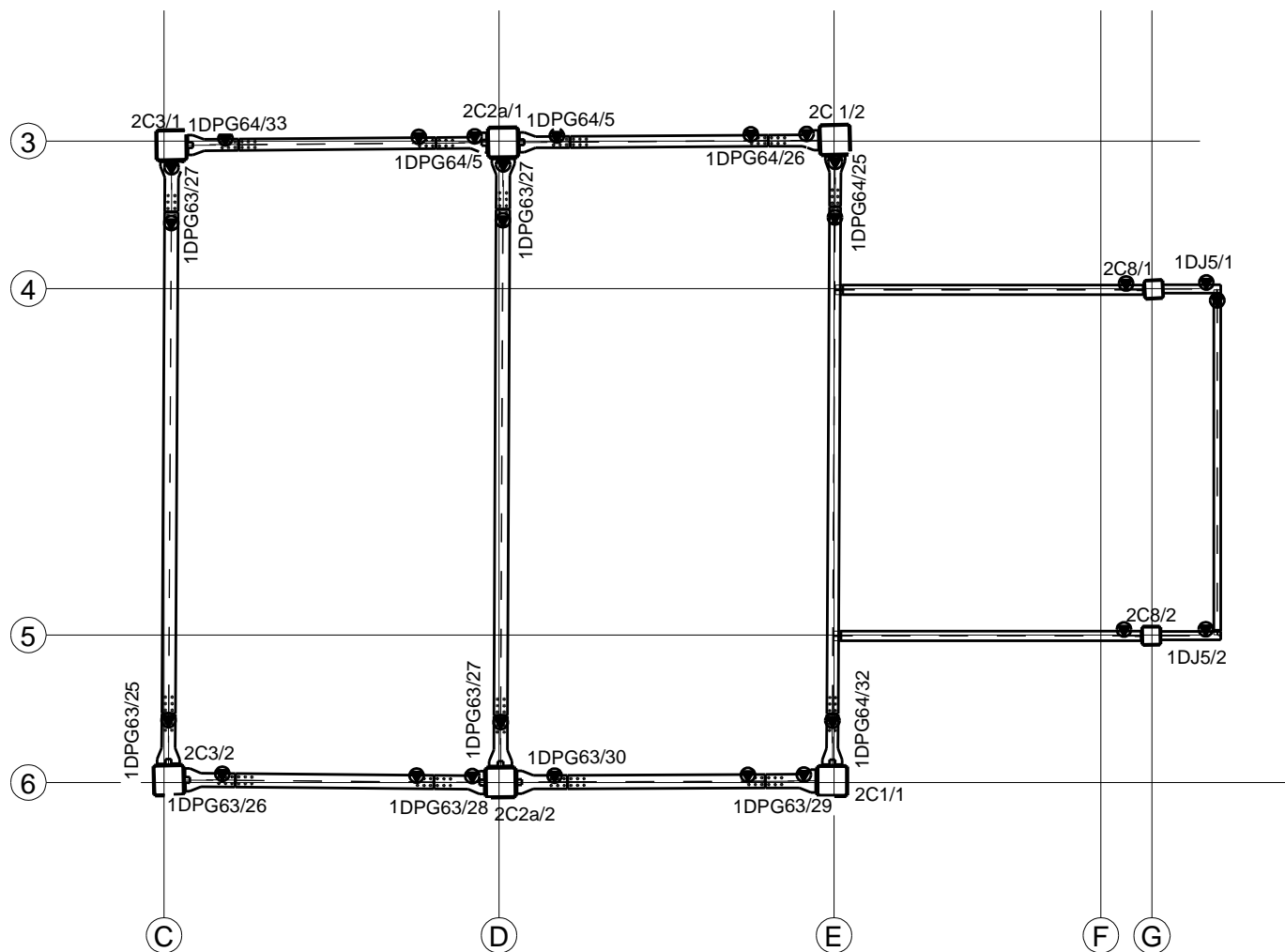


C
1:100



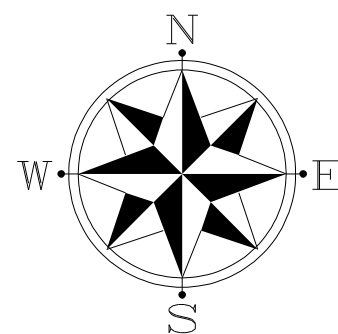
توجه: هر آنچه که قرار شده تولید شود کد مونتاژ آن اشاره شده
و المانهایی که هیچ کدی ندارند یعنی قرار به عدم تولید آنها میباشد
در غیر این صورت کارفرمای محترم مراتب لازم را اعلام بفرماید.

REV.	01	1395-05-13	Rad.Engineer	Rad.Engineer	Rad.Engineer
Phase Number:	Created date:	Modeled By:	Checked By:	Project Manager:	
DESCRIPTION:	PROJECT TITLE:		CONTRACTOR:		
SCALE:	سوله گل گهر سیرجان				
UNIT:	OWNER:				
FIELD:	CONSULTANT:				
PHASE:	DRAWING TITLE:				
01	Plan +52.19				
Project No.:	- PH. 01	R. 0	1/1		

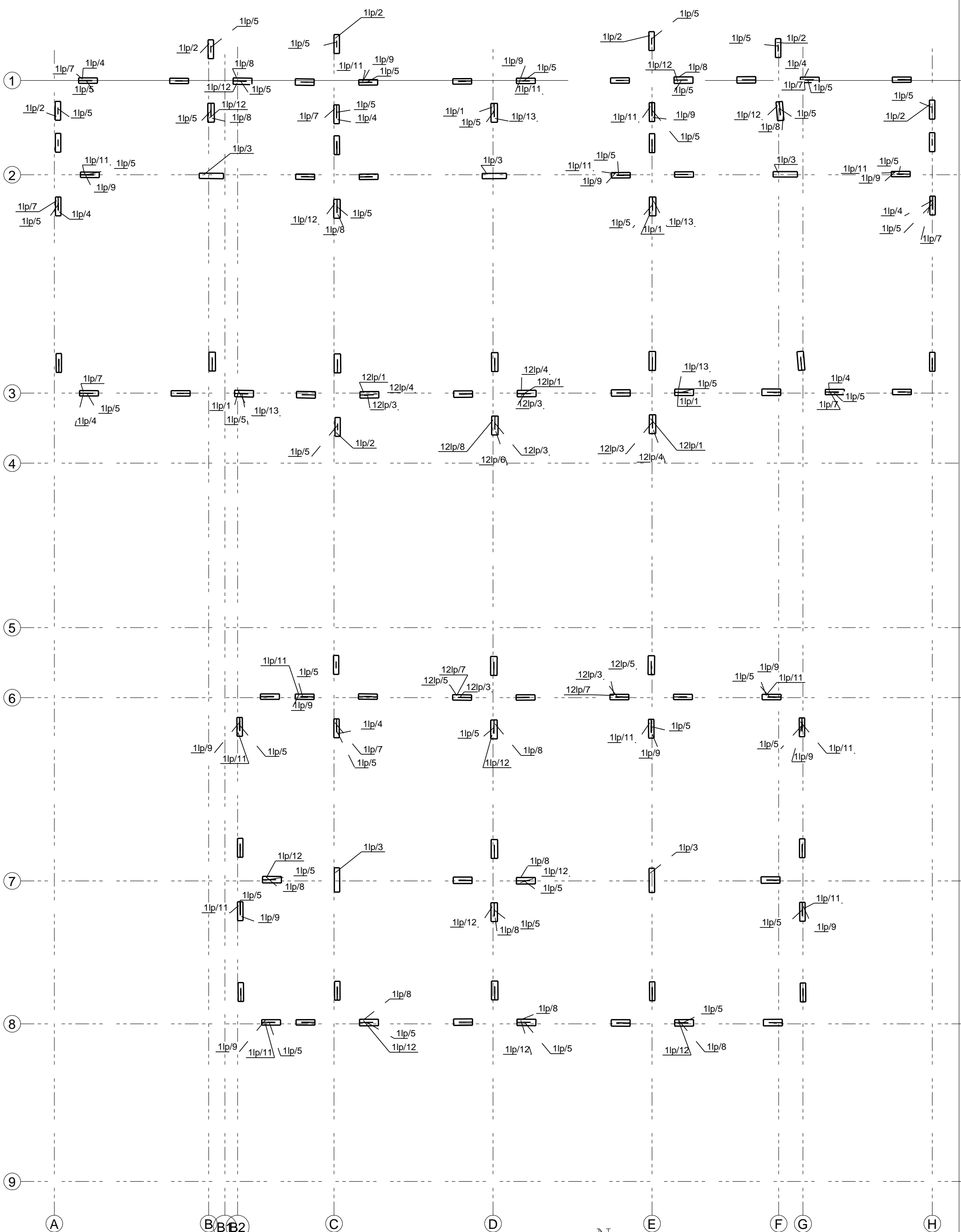


PLAN +56.79
1:125

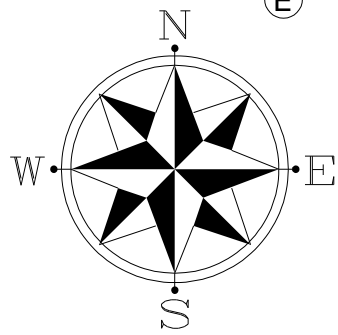
توجه: هر آنچه که قرار شده تولید شود کد مونتاژ آن اشاره شده
و المانهایی که هیچ کدی ندارند یعنی قرار به عدم تولید آنها میباشد
در غیر این صورت کارفرمای محترم مراتب لازم را اعلام بفرماید.



0	01	1395-05-13	Rad.Engineer	Rad.Engineer	Rad.Engineer
REV:	Phase Number:	Created date:	Modeled By:	Checked By:	Project Manager:
DESCRIPTION:	PROJECT TITLE:		CONTRACTOR:		
SCALE:	سوله گل گهر سیرجان				
UNIT:	OWNER:				
FIELD:	CONSULTANT:				
PHASE:	DRAWING TITLE:				
01	Plan +56.79				
Project No.:		- PH. 01	R. 0	1/1	



PLAN +47.59
1:125



REV.	2	01	1395-05-21	Rad.Engineer	Rad.Engineer	Rad.Engineer
Phase Number:			Created date:	Modeled By:	Checked By:	Project Manager:
DESCRIPTION	PROJECT TITLE:		CONTRACTOR:			
SCALE:	N.T.S		سوله گل گهر سيرجان			
UNIT:	mm		OWNER:			
FIELD:	Structure		CONSULTANT:			
PHASE:	01		DRAWING TITLE:			
			Flange Loose Part Plan +47.59			
Project No.:	- PH. 01		R. 2		1/1	